



baja designs[®]
The Scientists of Lighting

Honda CRF/X Squadron (Pro & Sport) Kit

04-18



PN: 49-7071, 55-7071

Installation Manual

2950 Norman Strasse Rd • San Marcos • CA • 92069

Phone 760.560.2252 • Fax 760.560.0383 • info@bajadesigns.com

www.bajadesigns.com



baja designs[®]
The Scientists of Lighting

LIMITED LIFETIME WARRANTY

Baja Designs proudly offers a LIFETIME WARRANTY against manufacturer's defect on all of the products that we manufacture.

These are comprehensive warranties; other than the exclusions below – you're covered. If your LED or HID bulb burns out, you're covered. Additionally, cutting off our connector or changing your lenses does not automatically void your warranty.

Exclusions:

Installation errors, abuse, misuse or crash damage. You must be the original owner of the product and be able to supply proof of purchase.

Baja Designs manufactures its own products as well as resells products manufactured by others. Baja Designs makes no express or implied warranties on products not manufactured by Baja Designs including without limitation any warranties or merchantability and fitness for a particular purpose. We will however, pass on all warranties made by the manufacturer, who has sole responsibility for performing such warranties.

Baja Designs will pay the freight if your product is less than 90 days old, otherwise defective products must be returned to Baja Designs, Inc., freight prepaid. At our option, we will repair or replace items in question and return them at no charge. If the identical product is no longer available we will replace with a similar product of equal value. Baja Designs Inc. will not be responsible for any indirect or consequential damages in connection with defective merchandise.

Indemnification:

Buyer hereby acknowledges off roading, racing and driving at night are dangerous activities and that the products and/or supplies purchased from Baja Designs are used in an inherently dangerous activity that may endanger life and limb; and in no event shall the seller, or seller's heirs and assigns, be held liable for consequential damages, nor shall seller's liability on any claim for damages arising out of or connected with the sale, delivery, or use of purchased products and/or supplies exceed the purchase price of the products and/or supplies.

Customer satisfaction stands at the core of who Baja Designs is as a company. BD gives you a full 30 days to test out your new light and if you are not 100% satisfied with your purchase, you can send it back for an exchange or refund of the purchase price and applicable tax.

Exclusions:



baja designs
The Scientists of Lighting

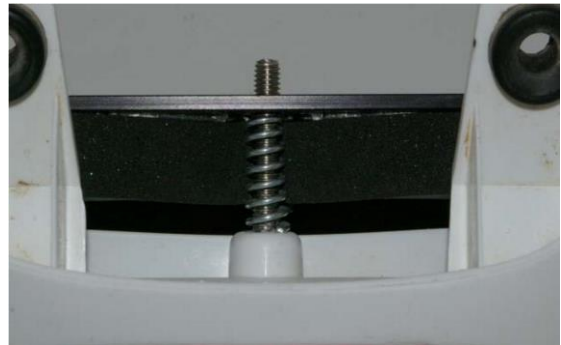
Items purchased through a Baja Designs authorized dealer must be returned through the dealer. Only available on LED auxiliary lights and product must be in sellable condition at MSRP. Product that has been damaged in any way after the original purchase date will be excluded from this guarantee.

Buyer is responsible for ensuring that it uses the products (and its vehicle) in accordance with all applicable laws, regulations, guidelines, and standards of care. Buyer acknowledges that some products may only be used when off-roading, and Buyer will comply with all vehicle and road safety guidelines. Buyer is solely responsible for (and will indemnify and hold Bestop harmless for) any claims, losses, damages, fines, fees, costs, or other amounts arising out of Buyer's non-compliance with these provisions.

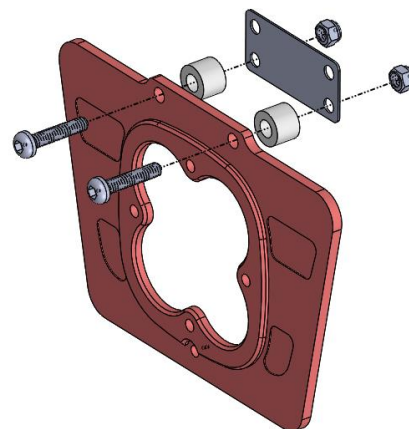
The Baja Designs Squadron LED light kit will replace the lens assembly in your stock headlight shell. The Squadron is **not** DOT approved and is designed for off road use only. In stock form, the CRF/X charging system does not have enough DC power to run the Squadron and keep the battery charged. These bikes require a rewind stator in order to run any HID/LED headlight. If your stock stator hasn't been rewind please contact Baja Designs for more information. If you try to run this light off the battery with the stock AC/DC system, you will discharge the battery. Once the stator has been rewind you will also need to purchase our universal wiring harness (Part #61-1049).

Warning: If you hook up the LED light to the A/C portion of your stator you will fry the circuit board. This is NOT covered by our warranty.

1. Start by removing your factory headlight shell and lens assembly from your CRF/X. Please keep track of the Philips head screws as you will need to re-use them for this installation.



2. Assemble the silver bracket to the squadron bezel plate as shown in the exploded view below. Use the provided M5 button head bolt with the spacer and nut.





baja designs
The Scientists of Lighting

3. Place the Squadron LED bezel plate into the headlight shell and insert the adjuster bolt and spring supplied in this kit. For customers using this kit on a CRF 250X, the housing will need to be rotated upside down before placing the squadron into the headlight shell. Align the screw with the 5mm threaded hole on the bottom of the Squadron LED and start the screw. You will have to compress the spring at the same time you turn the screw. Be careful not to cross thread the screw.



4. Once you have successfully started the adjuster screw re-install the factory Phillip's head screws that were securing the upper mount on the stock lens assembly.

5. Re-install the light on your CRF/X and make sure the back of the Squadron LED does not interfere with any wiring when you turn the handlebars from side to side.

WIRING:

Handlebar Switch:

- If you decided to go with our handlebar switch you will start by connecting the fuse lead from the Baja Designs wiring harness to the positive terminal on the battery then connect the black lead to the negative terminal on the battery.
- Carefully route the wiring harness along the left side of the steering neck and then mount the Baja Designs handlebar on/off switch.
- Plug the Squadron LED into the corresponding connector from the wiring harness.

Toggle Switch:

- If you decided to go with our toggle switch you will start by connecting the fuse lead from the Baja Designs wiring harness to the positive terminal on the battery then connect the black lead to the negative terminal on the battery.
- Carefully route the wiring harness along the left side of the steering neck.
- If you have chosen to use a headlight mounted toggle switch drill a 15/32 hole in the location shown in the photo. Make sure you leave yourself enough clearance for the back of the toggle switch.

IMPORTANT!





baja designs
The Scientists of Lighting

Mounting The A/C to D/C converter(Optional):

Please note that if you have purchased the AC version of the light, the converter will be included as well as a hardware bag of items to mount the AC to DC converter. The convertor can be mounted using the provided

Due to the high output of the CRF450X rewind stator, it is very important to have a draw on the electrical system at all times. This means that you should have a daytime running light on the bike whenever the racelights are not being used.

Failure to do so may cause damage to the wiring and/or the rectifier/regulator.

Baja Designs supplies a jumper lead that can be attached to the stock headlight for daytime use.

For 08+ bikes you need to remove the stock dampener in order run this light or purchase 49-7001-WT along with 60-0094 to help clear the dampener if you choose not remove it.

Also, install the 6 x 30 reduced flange head bolt and spacer as shown in picture below.

