



baja designs[®]
The Scientists of Lighting

XL LED Husqvarna AC Headlight Kit (17-18) Instructions (50-7022-AC)



185 Bosstick Boulevard • San Marcos • CA • 92069

Phone 760-560-2252 • Fax 760-560-0383

info@bajadesigns.com • www.bajadesigns.com



baja designs[®]
The Scientists of Lighting

LIMITED LIFETIME WARRANTY

Baja Designs proudly offers a LIFETIME WARRANTY against manufacturer's defect on all the products that we manufacture.

These are comprehensive warranties; other than the exclusions below – you're covered. If your LED or HID bulb burns out, you're covered. Additionally, cutting off our connector or changing your lenses does not automatically void your warranty.

Exclusions:

Installation errors, abuse, misuse or crash damage. You must be the original owner of the product and can supply proof of purchase.

Baja Designs manufactures its own products as well as resells products manufactured by others. Baja Designs makes no express or implied warranties on products not manufactured by Baja Designs including without limitation any warranties or merchantability and fitness for a purpose. We will, however, pass on all warranties made by the manufacturer, who has sole responsibility for performing such warranties.

Baja Designs will pay the freight if your product is less than 90 days old, otherwise defective products must be returned to Baja Designs, Inc., freight prepaid. At our option, we will repair or replace items in question and return them at no charge. If the identical product is no longer available, we will replace with a similar product of equal value. Baja Designs Inc. will not be responsible for any indirect or consequential damages in connection with defective merchandise.

Items purchased through a Baja Designs authorized dealer must be returned through the dealer. Only available on LED auxiliary lights and product must be in sellable condition at MSRP. Product that has been damaged in any way after the original purchase date will be excluded from this guarantee.

Indemnification:

Buyer hereby acknowledges off-roading, racing and driving at night are dangerous activities and that the products and/or supplies purchased from Baja Designs are used in an inherently dangerous activity that may endanger life and limb; and in no event shall the seller, or seller's heirs and assigns, be held liable for consequential damages, nor shall seller's liability on any claim for damages arising out of or connected with the sale, delivery, or use of purchased products and/or supplies exceed the purchase price of the products and/or supplies

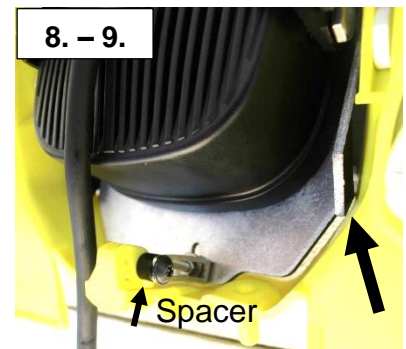
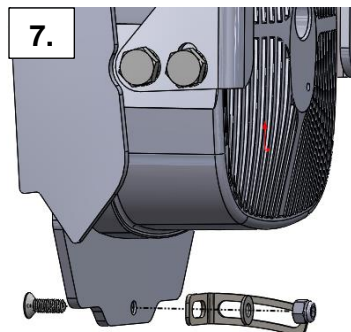
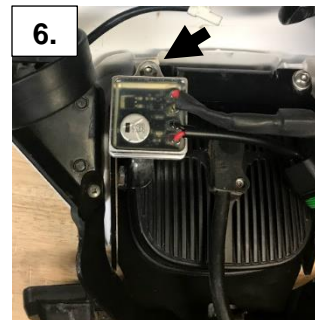
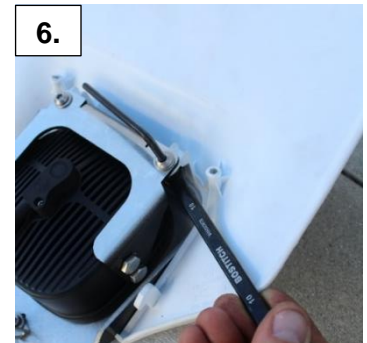
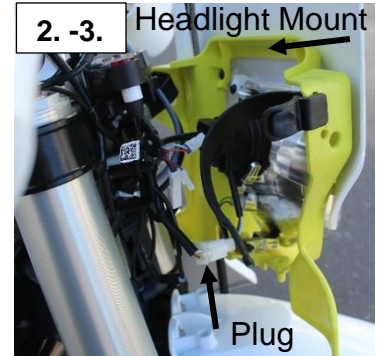
Husqvarna XL LED Headlight Instructions

Tools Required

- 7/16" Socket Wrench
- 10mm wrench
- 3mm Allen wrench
- 4mm Allen Wrench
- T20 Torx wrench
- 2.5mm Allen wrench
- 7mm wrench

Directions:

1. Unclasp the rubber headlight straps. (For FE701 unscrew three headlight mask bolts with T30 Torx bit. See (**) image)
2. Disconnect headlight plug and blinkers if present.
3. Remove headlight assembly and place on a soft work surface.
4. Using T20 Torx wrench, remove the four arrowed screws.
5. Remove headlight and then remove the mask.
6. With the 10mm wrench and 4mm Allen wrench, attach the new headlight to the mask with provided hardware. Attach the A/C to D/C Converter to the bolt as shown in the second image.
7. Attach the tilt adjuster hardware with the 7mm wrench and 2.5mm Allen wrench.
8. Attach the new headlight and mask to the mount with the T20 Torx wrench and two of the screws from step 4. **Make sure the pointed ends of the headlight are within the headlight mount (large arrow).**
9. Screw in tilt adjust screw with spacer in between tilt mount and the bracket.
10. Attach Hi/Low harness to plug from step (2.- 3.) using supplied harness instructions. (If purchased) Plug one side of the AC/DC converter into the light and the other side into either the Hi/Low adapter, or the bike side wiring plug.
11. Place headlight assembly back onto the lower alignment posts on the fender and strap the assembly back to the forks.



Re-torque fasteners after 100 miles.

Your installation is now complete, thank you for choosing Baja Designs!