

## 48-7002 Honda Grom S2 Kit

### Step 1.

Grab the following tools:

- 10mm Socket Wrench
- 8mm Wrench
- 5mm Allen Key
- No.1 Phillips Screwdriver
- No.2 Phillips Screwdriver
- Zip Ties

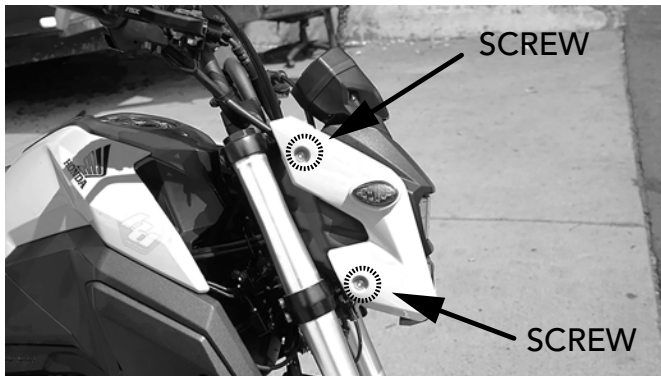
### Step 2.

Ensure the bike is off, in gear, and on a flat surface.  
Put the kickstand down on a solid and stable surface.

### Installing the Bracket/Light Assembly

#### Step 3. *Ensure Bike is On Flat Surface and In Gear*

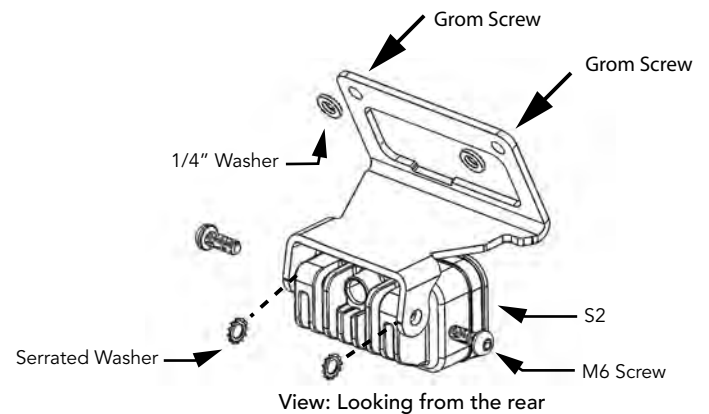
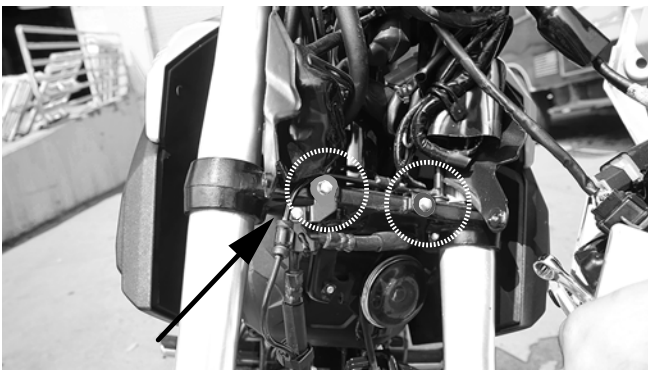
Using a 5mm allen key, undo the two encircled screws securing the headlight assembly on each side. Using both hands, pry away from the frame at the top then bottom of the headlight shell until it is free.



#### Step 4.

Using a 8mm wrench, unscrew the two screws circled below. Assemble the light and bracket as shown in the following images. The Serrated Washer goes in between the bracket and the S2, and two 1/4" washers should be placed behind the bracket.

Using a 8mm wrench, install the S2 and bracket assembly by tightening the two screws removed earlier.



#### Step 5.

Route the light's powercord behind the right fork tube with the end of the powercord aimed at the right side inner fender (left side rider's position). Hold-off on re-installing the headlight assembly until the power harness is installed and tested.

#### Step 6.

Remove the seat by inserting the key into the location circled to the right. Rotate the key clockwise and pry the back of the seat free.

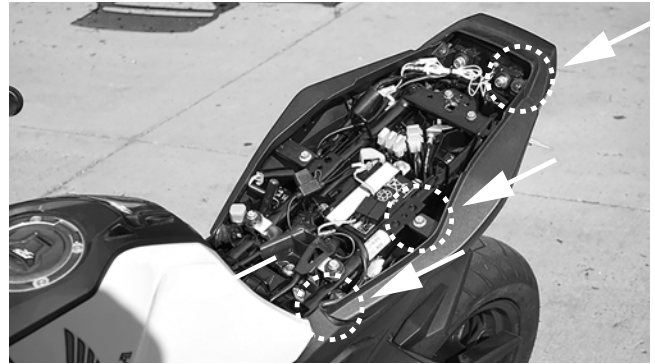


## Installing Power Harness

### Step 7.

Start at the rear, rider's left side, of the bike and using a No. 2 Phillips head, unscrew the circled screw.

Using a 10mm socket wrench, undo the encircled screw near the bike's battery and above the seat key location.



### Step 8.

Using a 5mm allen key, unscrew the three encircled hex screws.



### Step 9.

Using a No.1 Phillips screwdriver, undo the encircled screws.



### Step 10.

Gently pry the front plastic fairing away from the gas tank. If you feel any resistance, inspect for screws that were missed.

Attach the power harness to the battery with the red lead of the harness going to the positive post on the battery first and then the black lead going to the negative post.

Run the power harness along the side of the bike, tying up and slack with zip-ties.





**bajadesigns**  
THE SCIENTISTS OF LIGHTING

185 BOSSTICK BOULEVARD  
SAN MARCOS, CA 92069

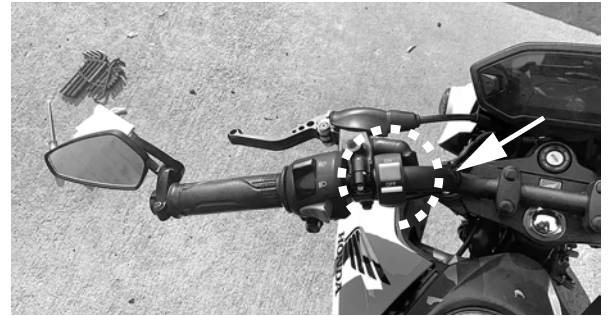
PHONE 760-560-2252  
FAX 760-560-0383

INFO@BAJADESIGNS.COM  
WWW.BAJADESIGNS.COM

**Step 11.**

Plug the lead of the light into the lead of the power harness. Test the function using the On/Off switch on the harness.

Ziptie any loose cords. Using a No.1 Phillips screwdriver, attach the On/Off switch of the power harness to the handlebars.



**Step 12.**

Repeat steps 7-10 in reverse order and secure the front and rear fairings back to the bike.

Repeat steps 3 in reverse order to reinstall the headlight assembly.



Retorque all hardware every 100 miles

Thank you for choosing Baja Designs



**bajadesigns**®  
THE SCIENTISTS OF LIGHTING

## **LIMITED LIFETIME WARRANTY**

Baja Designs proudly offers a LIFETIME WARRANTY against manufacturer's defect on all of the products that we manufacture.

These are comprehensive warranties; other than the exclusions below - you're covered. If your LED or HID bulb burns out, you're covered. Additionally, cutting off our connector or changing your lenses does not automatically void your warranty thanks to our U-serivce® replaceable lenses and optics.

### **Exclusions:**

Installation errors, abuse, misuse or crash damage. You must be the original owner of the product and can supply proof of purchase.

Baja Designs manufactures its own products as well as resells products manufactured by others. Baja Designs makes no express or implied warranties on products not manufactured by Baja Designs including without limitation any warranties or merchantability and fitness for a particular purpose. We will however, pass on all warranties made by the manufacturer, who has sole responsibility for performing such warranties.

Baja Designs will pay the freight if your product is less than 90 days old, otherwise defective products must be returned to Baja Designs, Inc., freight prepaid. At our option, we will repair or replace items in question and return them at no charge. If the identical product is no longer available, we will replace with a similar product of equal value. Baja Designs Inc. will not be responsible for any indirect or consequential damages in connection with defective merchandise.

Items purchased through a Baja Designs authorized dealer must be returned through the dealer. Only available on LED auxiliary lights and product must be in sellable condition at MSRP. Product that has been damaged in any way after the original purchase date will be excluded from this guarantee

### **Indemnification:**

Buyer hereby acknowledges off-roading, racing and driving at night are dangerous activities and that the products and/or supplies purchased from Baja Designs are used in an inherently dangerous activity that may endanger life and limb; and in no event shall the seller, or seller's heirs and assigns, be held liable for consequential damages, nor shall seller's liability on any claim for damages arising out of or connected with the sale, delivery, or use of purchased products and/or supplies exceed the purchase price of the products and/or supplies.