



**bajadesigns**<sup>®</sup>  
THE SCIENTISTS OF LIGHTING

**2024-On, Toyota Tacoma 8XL Linkable Roof Kit  
(44-8119, 44-8119)**



**Note: For vehicles equipped with OEM auxiliary/upfitter switches customers must separately purchase 60-0101 “2024-On, Toyota Tacoma, Upfitter Harness” for the best plug and play experience.**

2950 Norman Strasse San Marcos, CA 92069

Phone 760-560-2252 X3 • Fax 760-560-0383

info@bajadesigns.com • [www.bajadesigns.com](http://www.bajadesigns.com)



**baja designs**<sup>®</sup>  
THE SCIENTISTS OF LIGHTING

## LIMITED LIFETIME WARRANTY

Baja Designs proudly offers a LIFETIME WARRANTY against manufacturer's defect on all the products that we manufacture.

These are comprehensive warranties; other than the exclusions below – you're covered. If your LED or HID bulb burns out, you're covered. Additionally, cutting off our connector or changing your lenses does not automatically void your warranty.

### **Exclusions:**

Installation errors, abuse, misuse, or crash damage. You must be the original owner of the product and can supply proof of purchase.

Baja Designs manufactures its own products as well as resells products manufactured by others. Baja Designs makes no express or implied warranties on products not manufactured by Baja Designs including without limitation any warranties or merchantability and fitness for a purpose. We will, however, pass on all warranties made by the manufacturer, who has sole responsibility for performing such warranties.

Baja Designs will pay the freight if your product is less than 90 days old, otherwise defective products must be returned to Baja Designs, Inc., freight prepaid. At our option, we will repair or replace items in question and return them at no charge. If the identical product is no longer available, we will replace it with a similar product of equal value. Baja Designs Inc. will not be responsible for any indirect or consequential damages in connection with defective merchandise.

Items purchased through a Baja Designs authorized dealer must be returned through the dealer. Only available on LED auxiliary lights and product must be in sellable condition at MSRP. Product that has been damaged in any way after the original purchase date will be excluded from this guarantee.

### **Indemnification:**

**Buyer hereby acknowledges off-roading, racing and driving at night are dangerous activities and that the products and/or supplies purchased from Baja Designs are used in an inherently dangerous activity that may endanger life and limb; and in no event shall the seller, or seller's heirs and assigns, be held liable for consequential damages, nor shall seller's liability on any claim for damages arising out of or connected with the sale, delivery, or use of purchased products and/or supplies exceed the purchase price of the products and/or supplies.**

**Buyer is responsible for ensuring that it uses the products (and its vehicle) in accordance with all applicable laws, regulations, guidelines, and standards of care. Buyer acknowledges that some products may only be used when off-roading, and Buyer will comply with all vehicle and road safety guidelines. Buyer is solely responsible for (and will indemnify and hold Bestop harmless for) any claims, losses, damages, fines, fees, costs, or other amounts arising out of Buyer's non-compliance with these provisions.**

*\*\*For a color copy of instructions, visit your vehicle specific application on BajaDesigns.com \*\**

**Required Tool(s):**

- Sockets: 7/16", 10mm,
- Wrenches: 7/16", 10mm
- Misc: 5/32" Hex Tool, 3/16" Hex Tool, Center Punch, 1/8"-5/24" Drill Bits, Rivet Nut Tool, Sealant (Sikaflex221), sharp blade, 4mm Hex Tool, Masking tape, Scraping tool

**Parts List:**

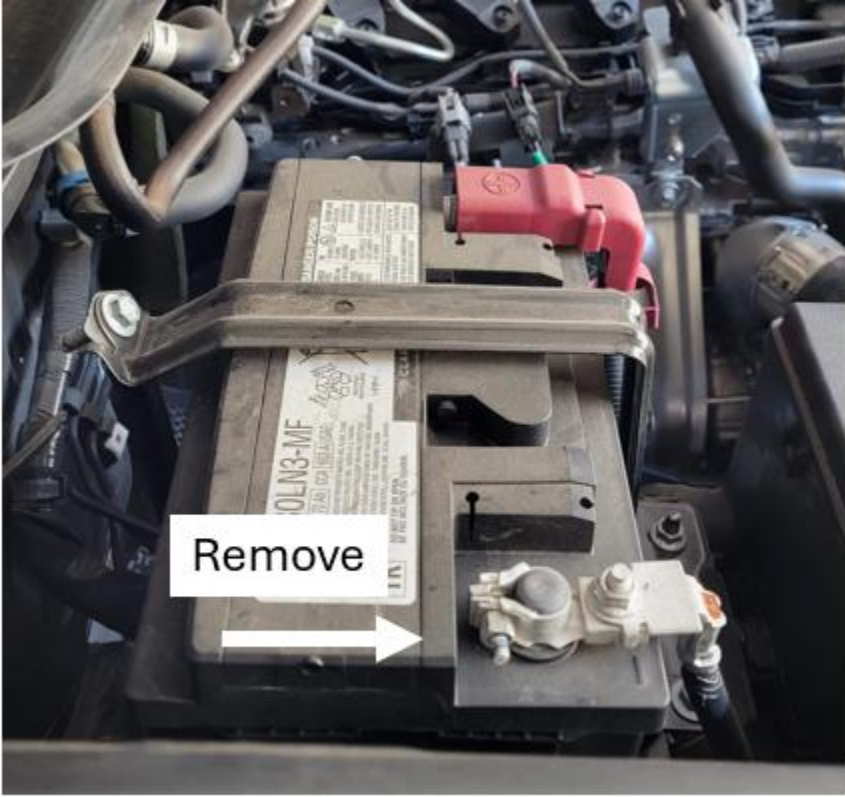
 <p><b>(44-9439) (QTY:1)</b> Toyota Tacoma (24-On), 8XL Linkable Roof Bracket DS</p>	 <p><b>(44-9440) (QTY:1)</b> Toyota Tacoma (24-On), 8XL Linkable Roof Bracket PS</p>	 <p><b>(20-1140) (QTY:2)</b> Hardware, Rivet Nut SS M6X1</p>	 <p><b>(20-1141) (QTY:6)</b> Hardware, M6 SS Washer 18mm OD</p>
 <p><b>(20-1142) (QTY:4)</b> Hardware, Spacer 5/8 OD X .257 ID X 1/2 Long</p>	 <p><b>(74-9006) (QTY:1)</b> XL Linkable FOR KITS, 8 XL Clear, w/o Pre-Load Kit &amp; Harness</p>	 <p><b>(20-2316) (QTY:2)</b> Hardware, Spacer 1/2"OD x 1/4"ID x 5/8" long</p>	 <p><b>(74-8002) (QTY:1)</b> XL Linkable, Pre-Load Kit</p>
 <p><b>(20-1612) (QTY:6)</b> Hardware, Zip Tie 50lb 8"</p>	 <p><b>(64-0115) (QTY:1)</b> OnX6+/S8 (10"-30") Off/On Harness</p>	 <p><b>(64-0015) (QTY:6)</b> Hardware, M6 x 30mm Button Head Socket Cap Screw</p>	 <p><b>(20-1286) (QTY:4)</b> Hardware, 1/4-20 Hex nyloc nut SS</p>

 <p><b>(20-1282) (QTY:4)</b> Hardware, 1/4 Flat Washer SS</p>	 <p><b>(20-1253) (QTY:4)</b> Hardware, 1/4"-20 1" Flat Socket CS SS w/patchwax 5/32 drive</p>	 <p><b>(61-0015) (QTY:1)</b> Wire Hider, 3ft</p>	 <p><b>(60-0101) (QTY:1)</b> 2024-On Toyota Tacoma, Upfitter Harness <b>(Sold Separately)</b></p>
--	---	--	--

To begin, make sure the vehicle is in park, on level ground and the parking brake is engaged.

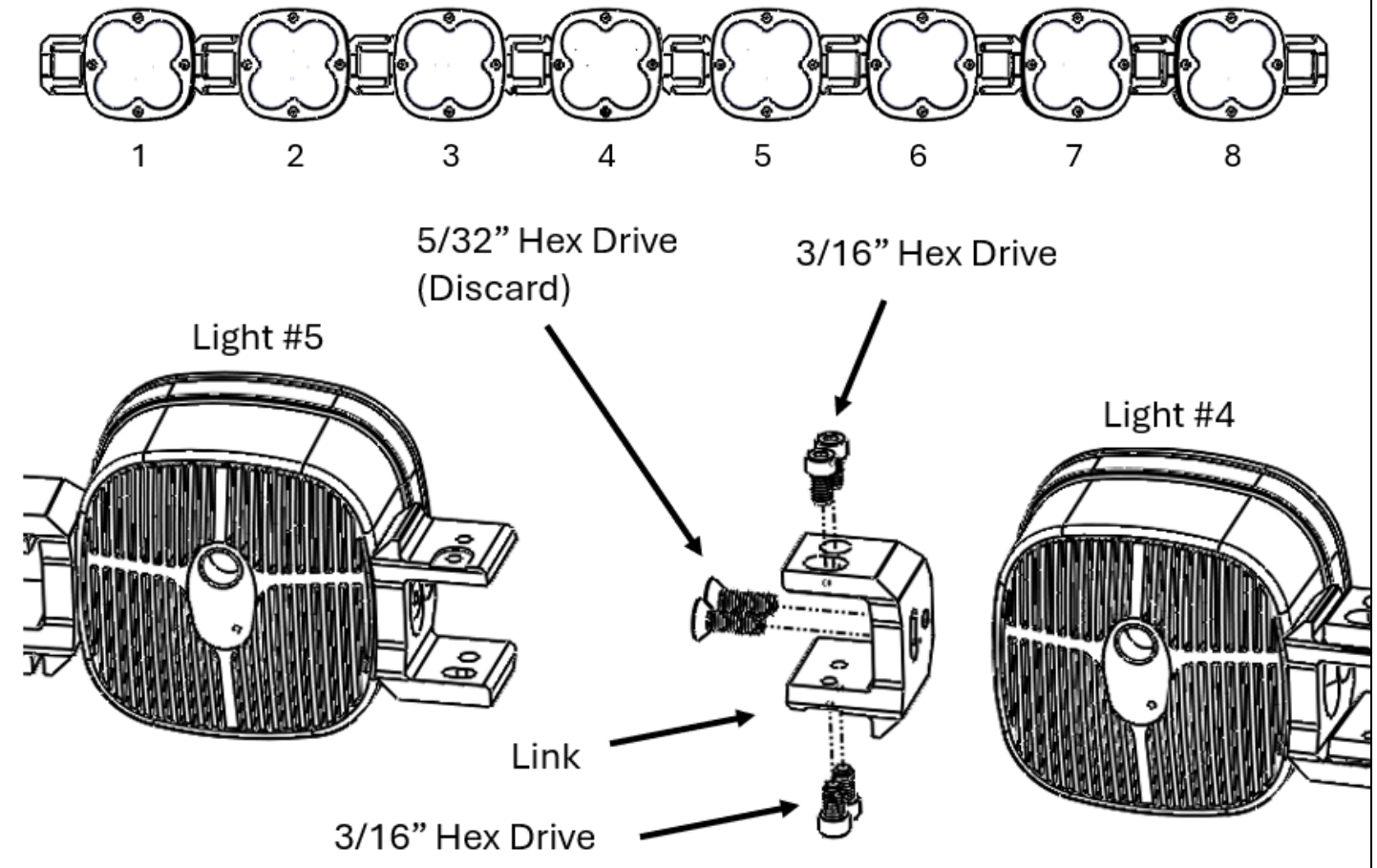
**Step 1: Vehicle Prep**

Disconnect the negative battery terminal on the vehicle battery using a 10mm socket.



### Step 2: Prep your 8XL Linkable

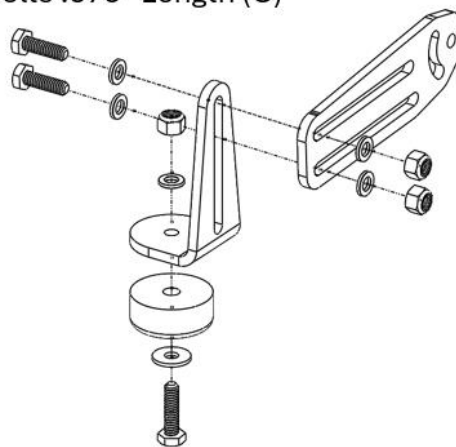
Split the linkable by removing the bolts between the 4<sup>th</sup> and 5<sup>th</sup> light (Left to right as seen below) using a 5/32" and 3/16" hex tool. Remove the link from light #4.



### Step 3: Assemble your Pre-load brackets

Assemble the pre-load bumper onto the provided bracket and loosely install it onto the pre-load base using the provided 1/4-20 hardware and a 7/16" Wrench and socket.

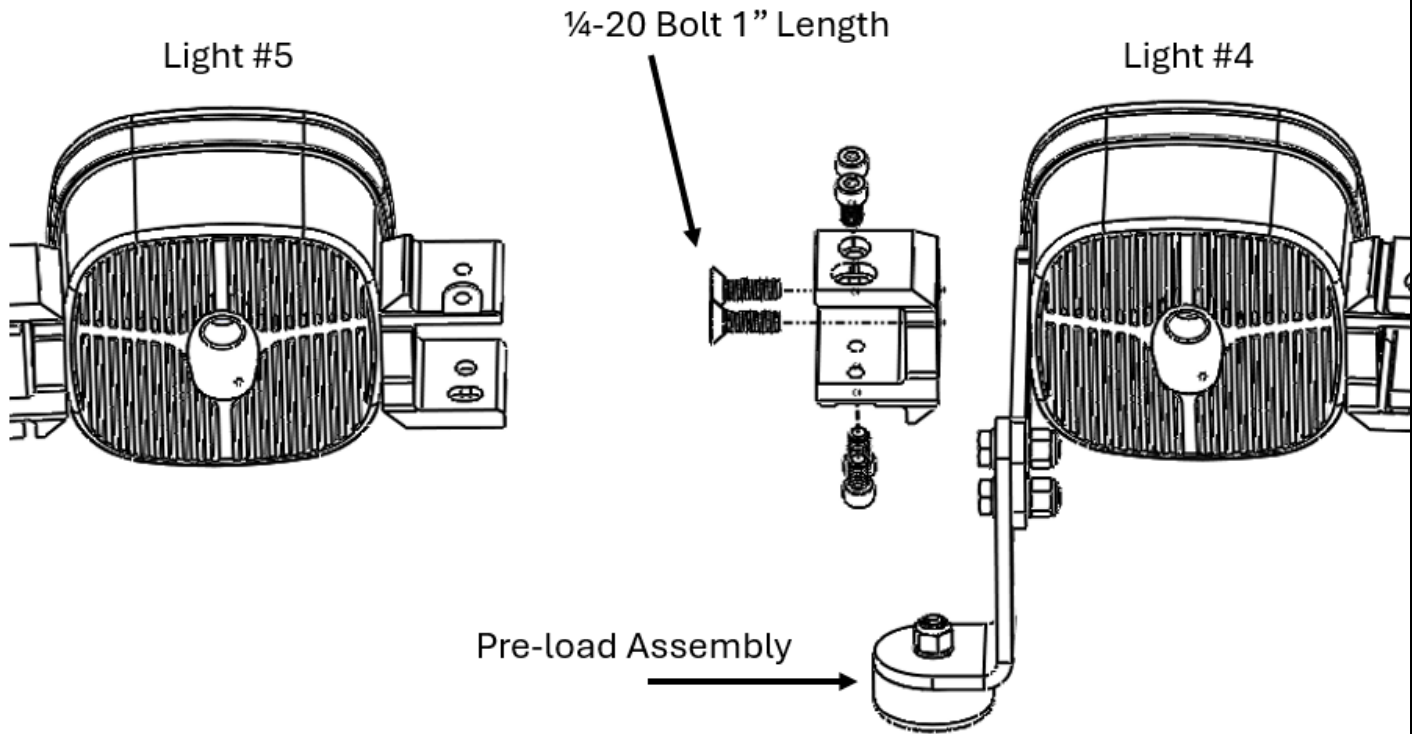
1/4-20 Bolts .875" Length (C)



1/4-20 Bolt 1" Length

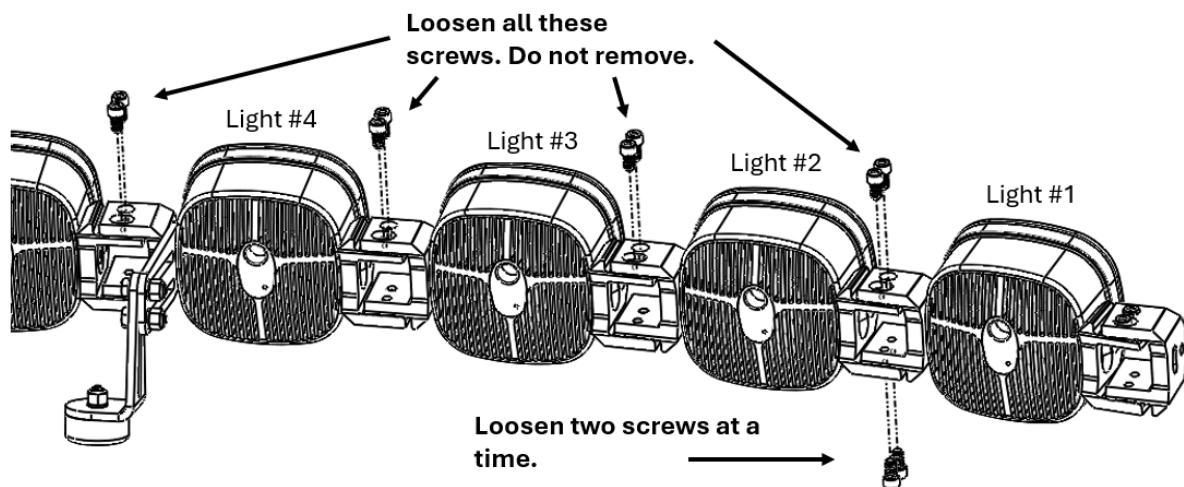
#### Step 4: Install Pre-load brackets onto linkable

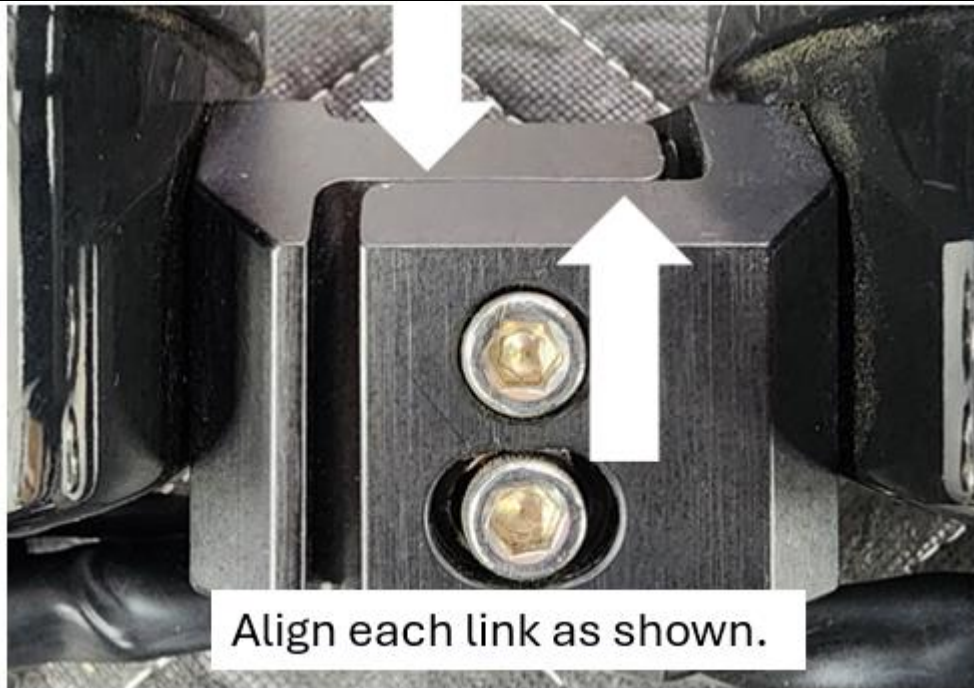
Using a 5/32" hex tool install the pre-load assembly onto the linkable using the longer bolts provided in the pre-load kit such that the pre-load bumper is as close to the center of the whole assembly as possible. See the photo below. Re-connect the linkable using a 3/16" hex tool and the 4X socket head screws previously removed.



#### Step 5: Arcing the 8XL Linkable

Loosen all the bolts along the top of all the links (See photo below) using a 3/16" hex tool. Loosen the bolts on the bottom of each set of links and align the links parallel to each other before re-tightening all the bolts on that pair of links. **Only loosen one set of links at a time. Leave the two outer sets of links loose.**





#### Step 6: Prepping OEM roof mounts

Remove the trim panels from the front two OEM roof mounting locations.



### Step 7: Exposing OEM Mounting holes

Remove the painted tape covering the OEM mounting holes. Clean up leftover adhesive at the hole locations using a scraping tool.

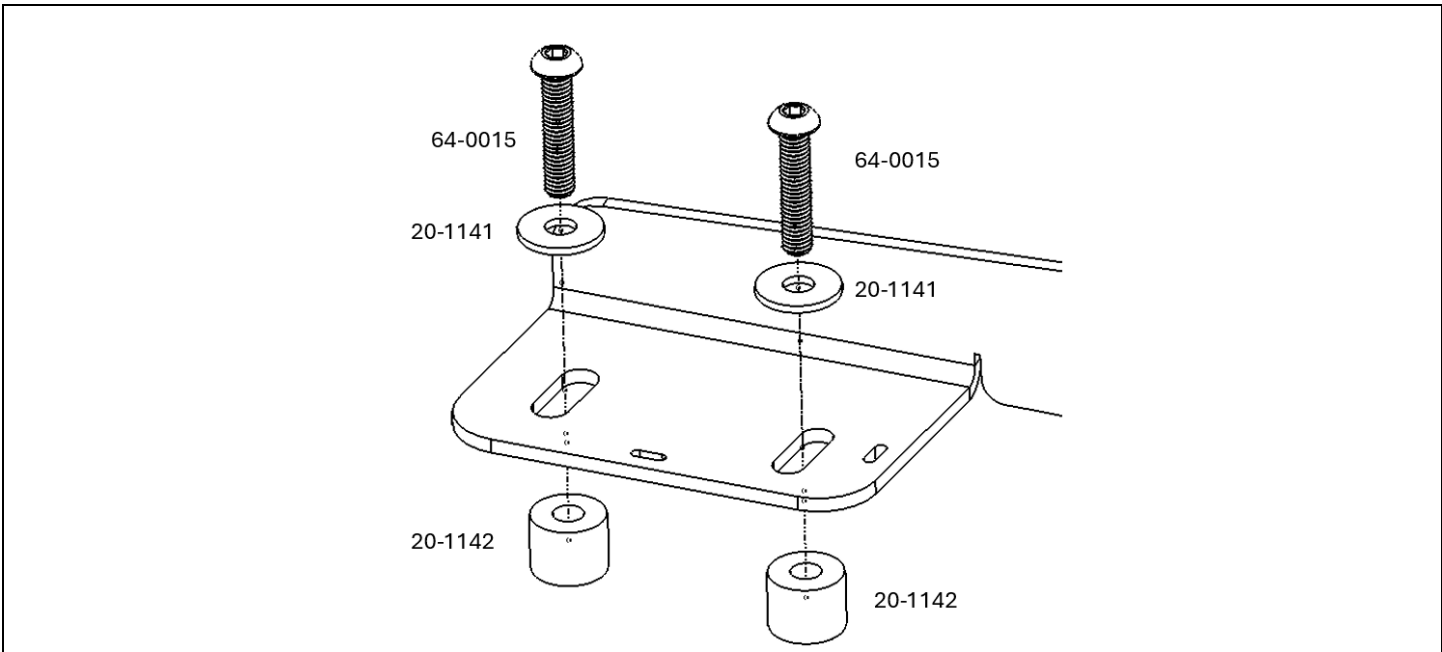


### Step 8: Mocking up roof brackets

Use a 4mm hex to loosely install the roof brackets using only the two mounting holes in the back and the spacers, washers and bolts provided. **\*Only use the 4 shorter spacers\***

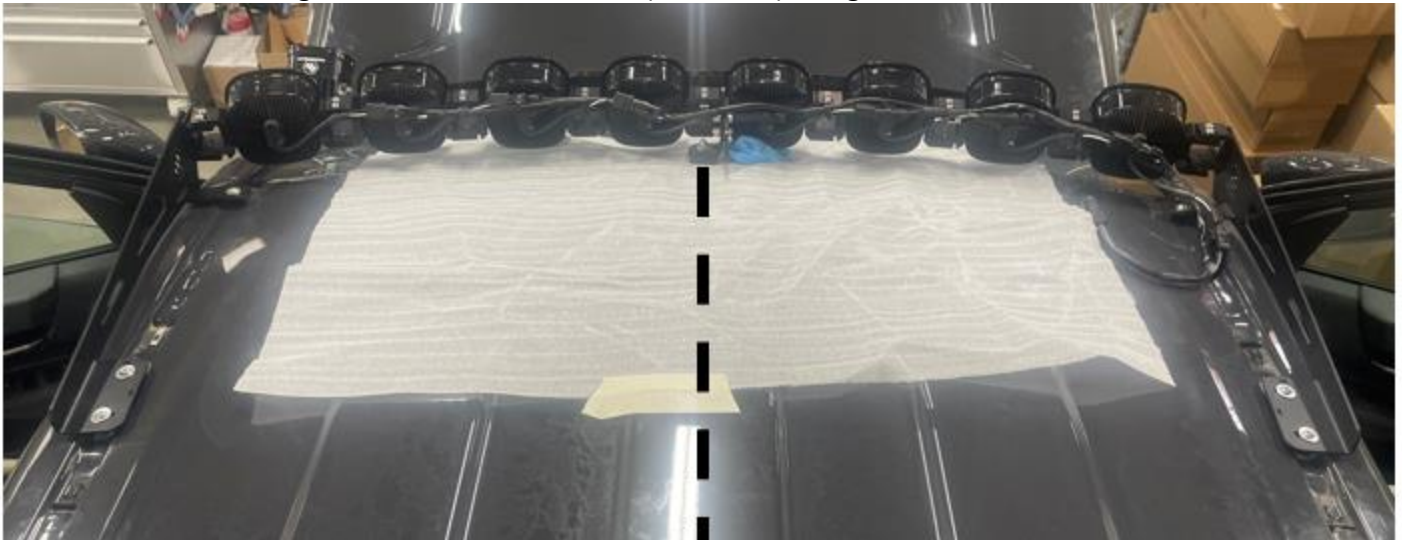






**Step 9: Mocking up the linkable in the brackets**

Use the provided longer flathead screws (20-1253) and nuts (20-1286) to loosely install the roof linkable onto the mounted roof brackets with a 7/16" socket and 5/32" hex tool. Adjust the roof brackets such that the light is centered and the pre-load bumper is at the edge of the roof. Adjust the end links to fit flat against the roof brackets and tighten the 4X socket heads (each side) using a 3/16" hex tool.



Once satisfied with the light location use a center punch to mark the forwardmost holes on the roof. Make sure to mark the center of the slot. Remove the linkable and roof brackets from the roof.

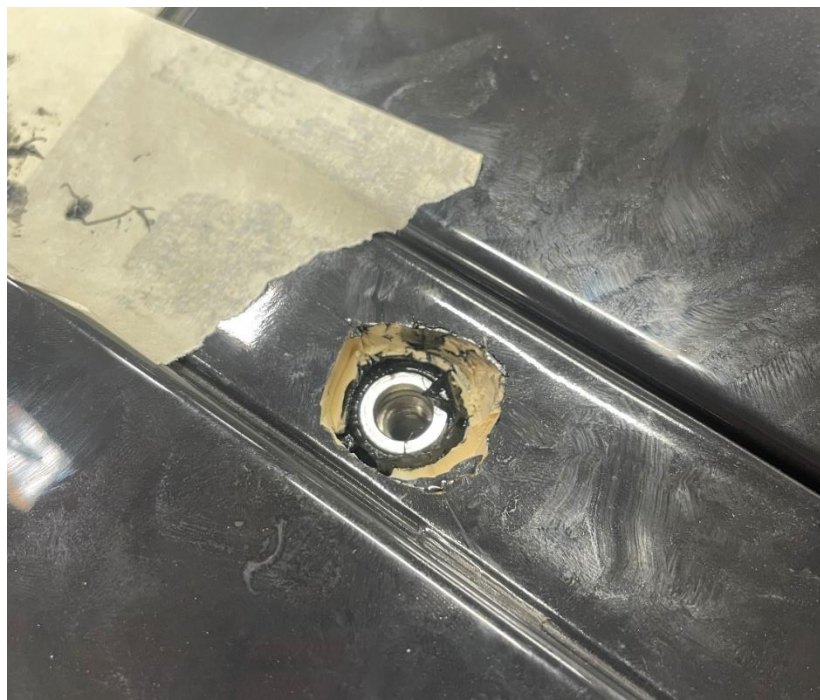
### Step 10: Roof modification

Drill pilot holes using an 1/8" drill bit. Using increasing bit sizes, drill the holes out to 23/64". Make sure the holes are drilled perpendicular to the roof. Drill bit stops are recommended to reduce the risk of damaging the airbags. Carefully remove the foam material around the hole (Roughly .5" diameter) down to the metal.



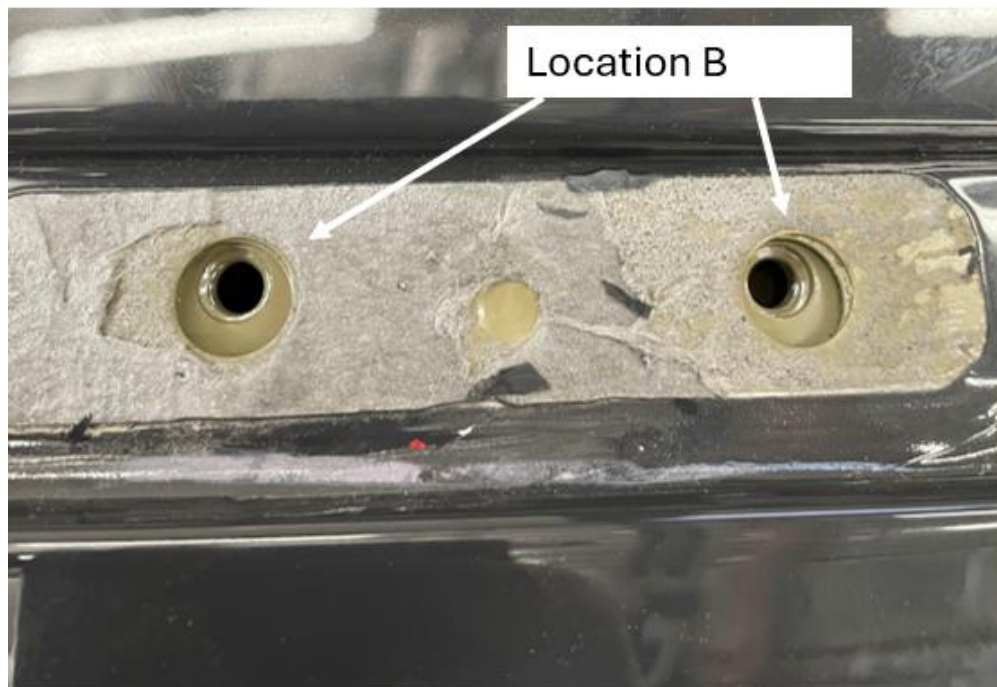
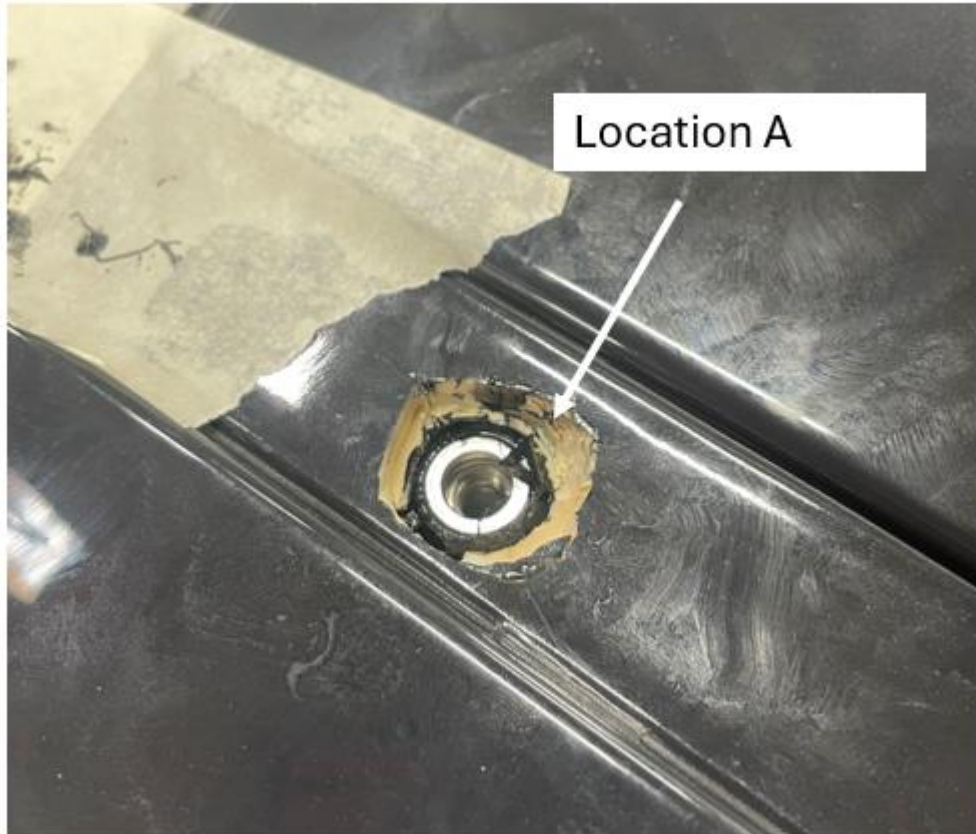
### Step 11: Rivet installation

Prep the drill hole location by removing any burrs. Verify that the rivet nut can snugly fit in the hole and the flange sits flat against the metal surface. Apply sealant to the rivet nut outside and use a rivet nut tool to install the rivet nut.



**Step 12: Silicone sealant application**

Add silicone sealant to the rivet nuts and the OEM mounting locations on both the inside threads and the top face. Install the provided spacers above the six mounting locations. Apply sealant to the gap around the spacers at location A & B.



### Step 13: Bracket Installation

Drop the brackets onto the spacers then secure them with 6mm bolts (64-0015) and washers (20-1141) using a 4mm Hex tool.



### Step 14: Linkable Installation

Use a 7/16" socket and 5/32" Hex tool to secure the linkable to the brackets with the provided 6mm flatheads and nuts. Tighten down all bolts.



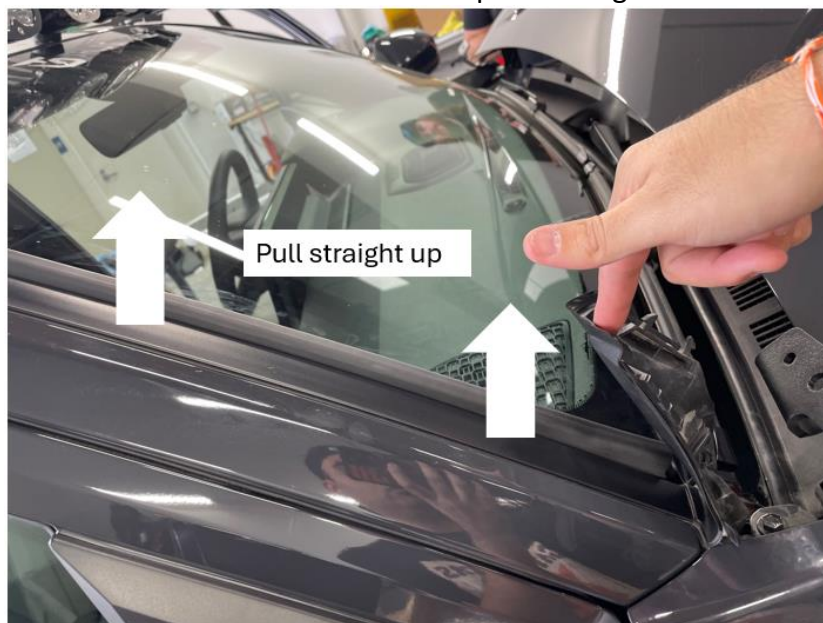
### Step 15: Pre-load Adjustment

Adjust the pre-load bracket until the pre-load bumper is in contact with the roof edge. Apply the 3M clear vinyl patch at the bumper contact location to prevent paint wear. Apply slight upward pressure to the linkable and with the help of an assistant, tighten the bolts (C) attaching the preload extension bracket to the preload bracket. See step 3 for details.



### Step 16: Prepping for wire routing

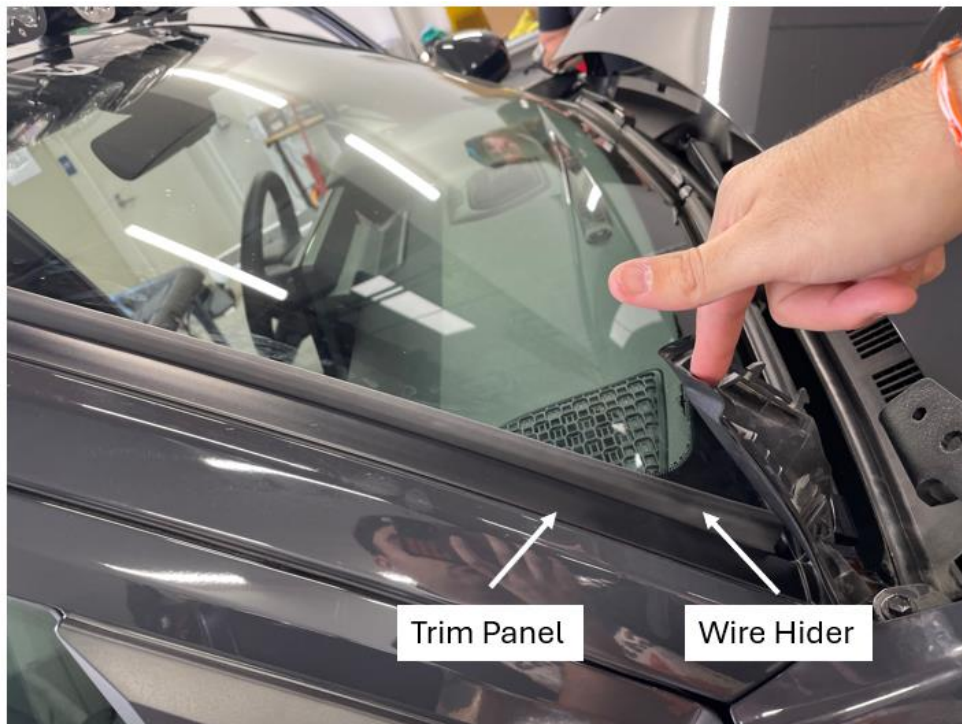
Remove the trim piece running up the windshield by freeing the bottom end and pulling the trim piece straight up off the roof. Cut a small hole for the harness to pass through as seen below.





**Step 17: Wire hider**

Install the wire hider onto the passenger side windshield edge following the directions provided. Cut the wire hider short enough to avoid interference with the windshield wipers when they are in-use.



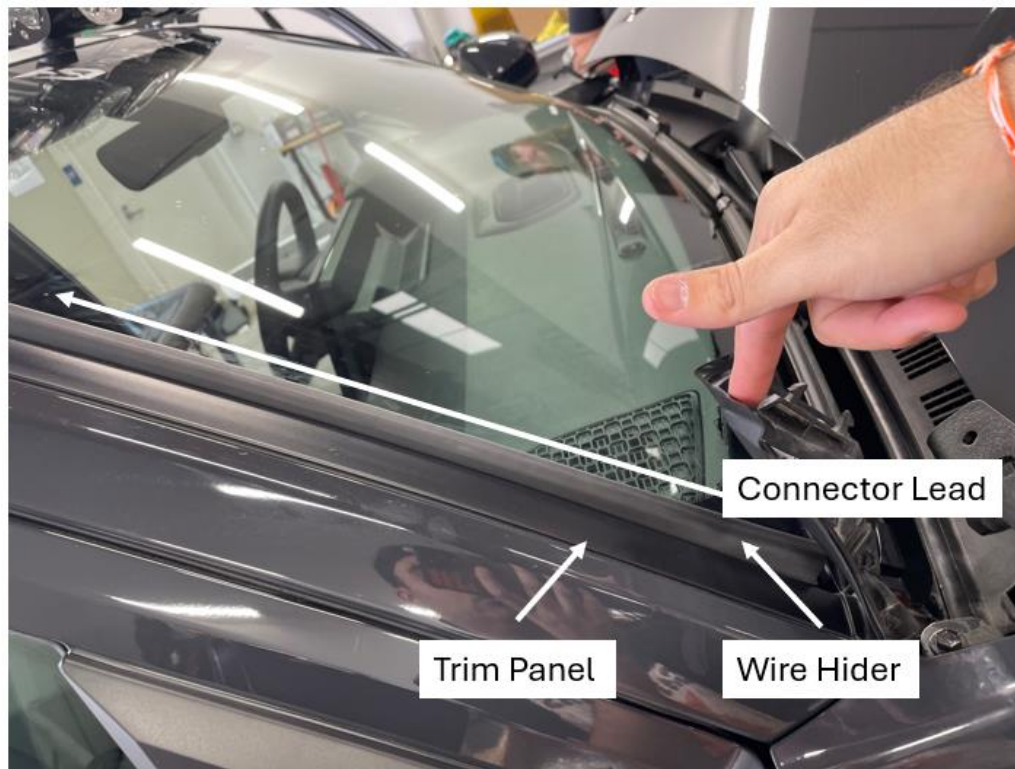
### Step 18: Wire harness Installation

Loosely secure the wire harness relay around the vehicle's fuse box/battery.



### Step 19: 3-Pin routing

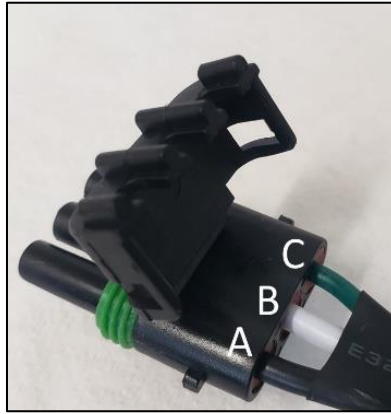
Run the 3-pin lead up towards the passenger hood hinge and through the hole in the trim panel. Re-install the trim piece onto the windshield. Run the harness up the windshield through the wire hider.



**Step 20: Install light connector**

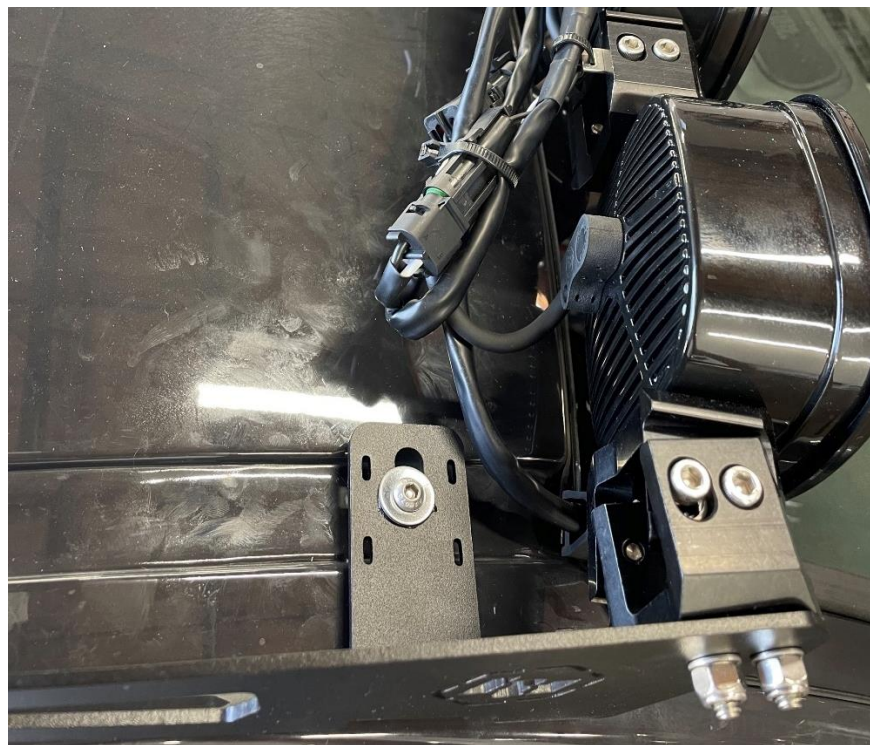
Install the provided connector onto the 3-pins using the markings on the connector and the legend provided:

- A: Black Wire
- B: White Wire
- C: Green Wire



**Step 21: Light connection**

Connect the harness to the light and tie away any slack using the zip ties provided.





### Step 22: Switch lead routing

Run the switch lead along the firewall towards the driver's side. Make sure to tie away the harness away from any hot or moving components.



### Step 23: Toggle Version ONLY (Skip to step 30 for upfitter version)

Disconnect the white connector on the switch lead and remove the connector from the switch side leaving the pins exposed.



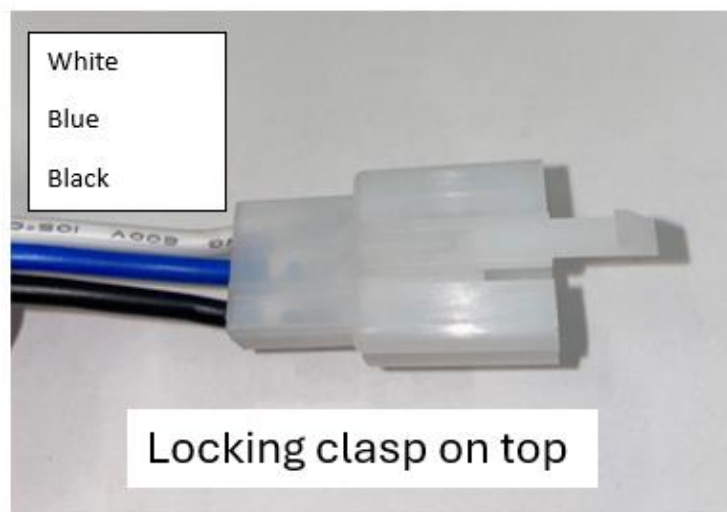
### Step 24: Firewall passthrough

Make a small hole in the firewall passthrough and pass the switch lead connector through the boot into the engine bay (pin side first). Wire emerges below the brake booster (driver side).



### Step 25: Harness reconnection

Pull the switch lead into the engine bay until it is long enough to be reconnected to the original harness. Re-install the white connector onto the exposed pins using the format below and then reconnect the two harnesses.



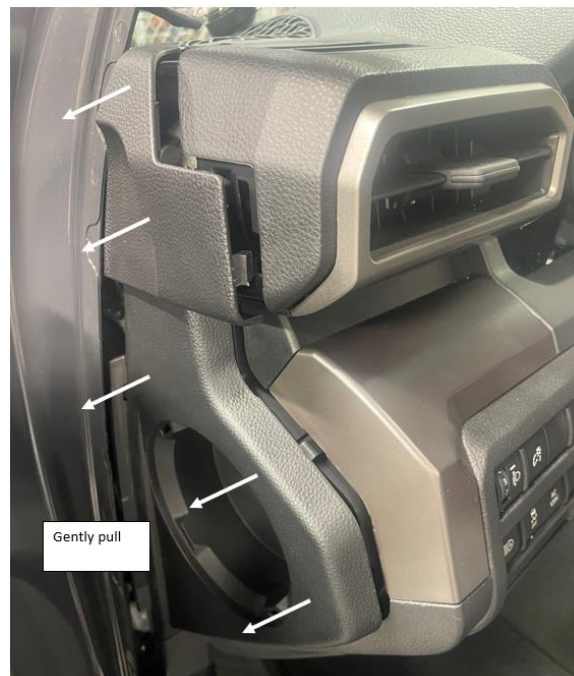
### Step 26: Trim panel removal

Remove the door seal on the driver's side and the round trim panel pictured below.



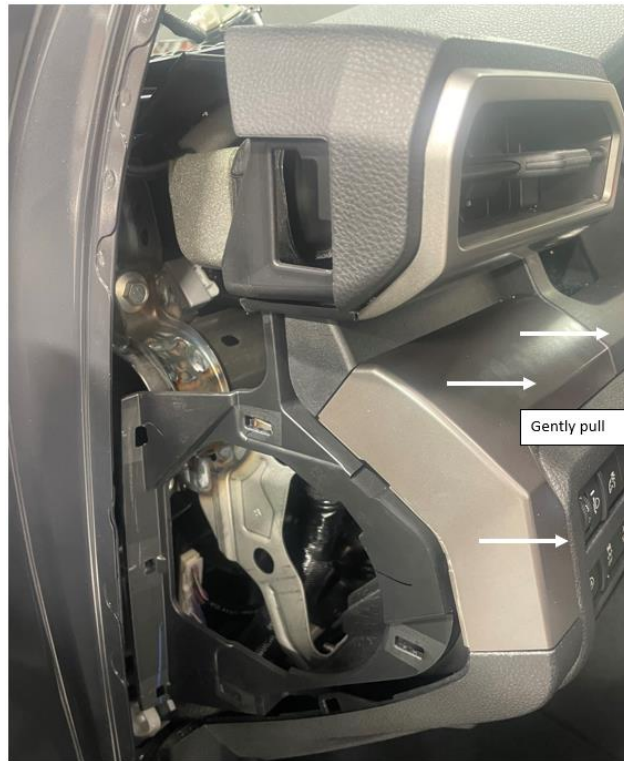
### Step 27: Trim panel removal

Remove the trim panel off the side of the dashboard by starting at the top edge and gently pulling away from the dash.



### Step 28: Trim panel removed

Remove the chrome trim panel by pulling parallel to the arrows pictured.

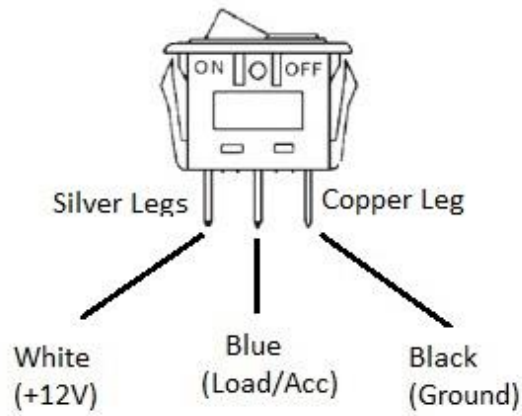


### Step 29: Button Installation

Drill a hole .75" in diameter at the location specified. Remove the button from the switch harness leaving only the exposed pins. Run the harness up from the footwell behind the dash and into the newly made hole. Re-install the button onto the harness and place it into the dashboard. Re-install all trim panels.



### BD Lighted Rocker

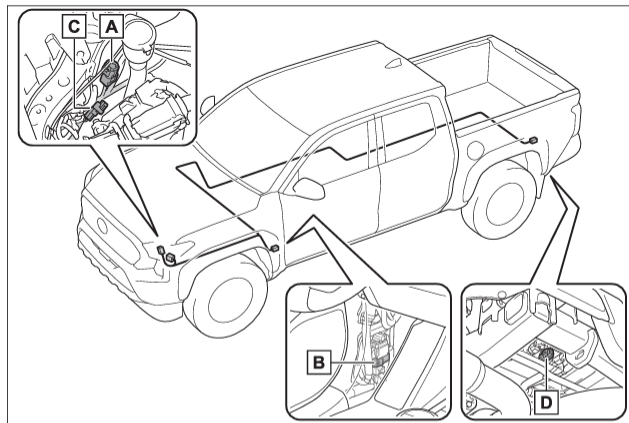


**\*Skip to step 32 for final installation steps\***

### Step 30: Upfitter Kits ONLY

Remove the OEM connector plug A from the harness behind the driver side headlight.

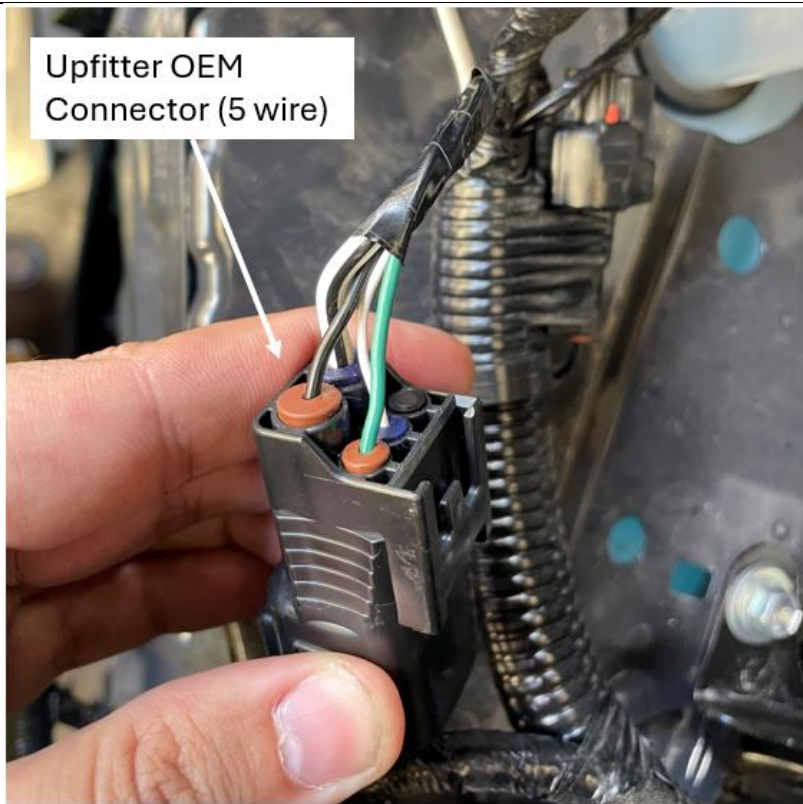
Location of auxiliary switch wire harness connectors:



- A** Engine compartment
- B** Cabin (behind trim panel)
- C** Engine compartment
- D** Rear frame

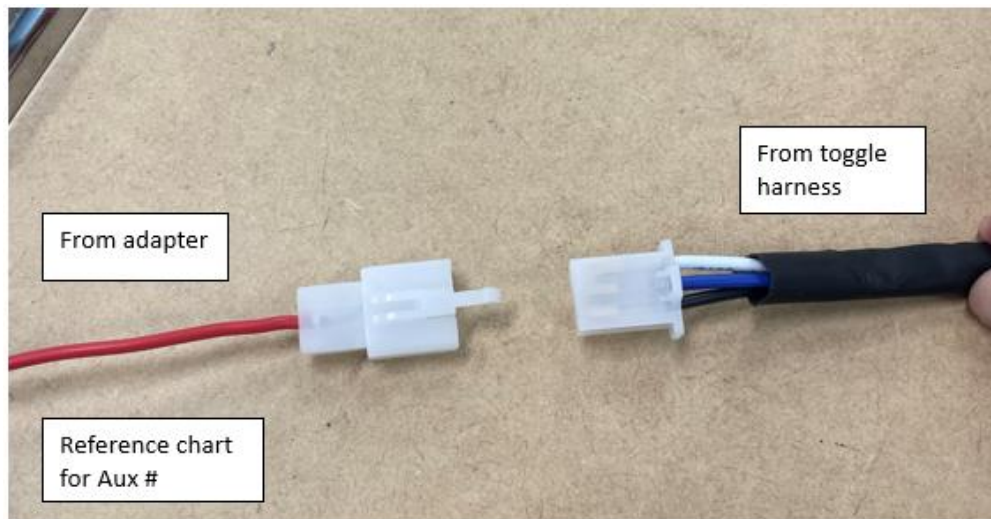
Powered Circuits:

Circuit	Fuse Name	Fuse Size	Fuse Location	Pigtail Wire Color	Connector Location
AUX1	AUX NO.1	15A	Engine compartment	Black	Engine compartment <b>A</b> , cabin <b>B</b>
AUX2	AUX NO.2	10A		Green	
AUX3	AUX NO.3	5A		White	



### Step 31: Upfitter harness routing

Plug in the provided adapter and run the harness to the end of the toggle harness in step 23. Connect the two harnesses using the appropriate connector from the chart below. Tie away any slack using the zip ties provided.



Depending on which Auxiliary (Aux) button you want to control your lights follow the reference below:

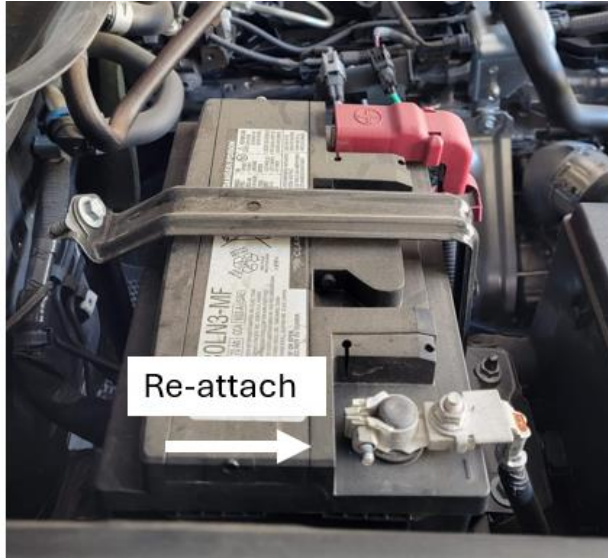
Aux 1: Connect your harness to red wire (Baja Designs adapter) (Pictured above)

Aux 2: Connect your harness to yellow wire (Baja Designs adapter)

Aux 3: Connect your harness to white wire (Baja Designs adapter)

### Step 32: Battery reconnection

Re-connect the vehicle battery and install the positive/negative wire from the light harness onto the battery terminals using a 10mm socket.



### Step 33: Testing

Test your lights for proper functionality. Installation complete!