



baja designs[®]
THE SCIENTISTS OF LIGHTING

22-on Polaris RZR Pro R Lower Facia S1 Kit (44-8099)



2950 Norman Strasse • San Marcos • CA • 92069

Phone 760-560-2252 X3 • Fax 760-560-0383

info@bajadesigns.com • www.bajadesigns.com



baja designs[®]
THE SCIENTISTS OF LIGHTING

LIMITED LIFETIME WARRANTY

Baja Designs proudly offers a LIFETIME WARRANTY against manufacturer's defect on all the products that we manufacture.

These are comprehensive warranties; other than the exclusions below – you're covered. If your LED or HID bulb burns out, you're covered. Additionally, cutting off our connector or changing your lenses does not automatically void your warranty.

Exclusions:

Installation errors, abuse, misuse or crash damage. You must be the original owner of the product and can supply proof of purchase.

Baja Designs manufactures its own products as well as resells products manufactured by others. Baja Designs makes no express or implied warranties on products not manufactured by Baja Designs including without limitation any warranties or merchantability and fitness for a purpose. We will, however, pass on all warranties made by the manufacturer, who has sole responsibility for performing such warranties.

Baja Designs will pay the freight if your product is less than 90 days old, otherwise defective products must be returned to Baja Designs, Inc., freight prepaid. At our option, we will repair or replace items in question and return them at no charge. If the identical product is no longer available, we will replace with a similar product of equal value. Baja Designs Inc. will not be responsible for any indirect or consequential damages in connection with defective merchandise.

Items purchased through a Baja Designs authorized dealer must be returned through the dealer. Only available on LED auxiliary lights and product must be in sellable condition at MSRP. Product that has been damaged in any way after the original purchase date will be excluded from this guarantee.

Indemnification:

Buyer hereby acknowledges off-roading, racing and driving at night are dangerous activities and that the products and/or supplies purchased from Baja Designs are used in an inherently dangerous activity that may endanger life and limb; and in no event shall the seller, or seller's heirs and assigns, be held liable for consequential damages, nor shall seller's liability on any claim for damages arising out of or connected with the sale, delivery, or use of purchased products and/or supplies exceed the purchase price of the products and/or supplies.

Buyer is responsible for ensuring that it uses the products (and its vehicle) in accordance with all applicable laws, regulations, guidelines, and standards of care. Buyer acknowledges that some products may only be used when off-roading, and Buyer will comply with all vehicle and road safety guidelines. Buyer is solely responsible for (and will indemnify and hold Bestop harmless for) any claims, losses, damages, fines, fees, costs, or other amounts arising out of Buyer's non-compliance with these provisions.

Tools Required

*T-40 Torx

* 7/16", 9/16" wrench

*7/16" socket

*3mm Allen wrench

To begin, make sure the vehicle is in park, and on level ground.

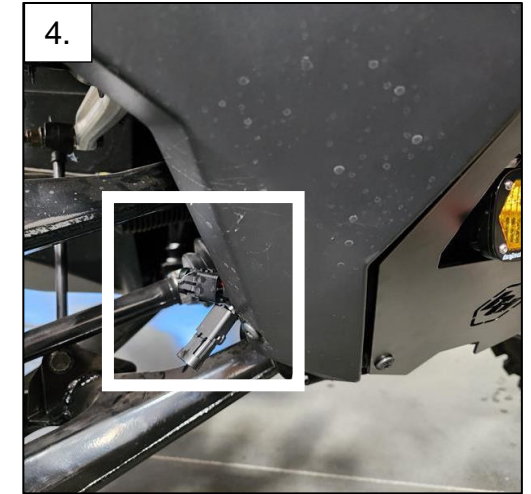
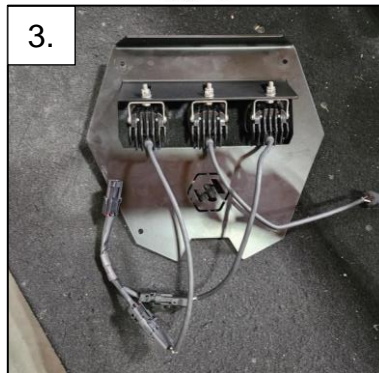
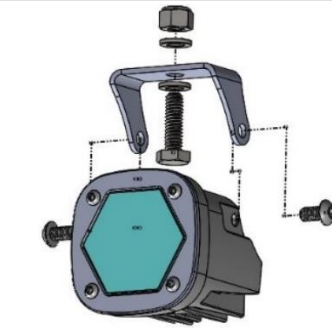
1. Using a T40 Torx driver, remove the 4 bolts (arrowed) holding in the lower fascia. Remove the lower fascia panel.

2. Using a 3mm Allen wrench, 7/16" wrench and socket, and included hardware, install the lights into the lower fascia bracket. The lights should face forward and be aimed straight or downward 1°.



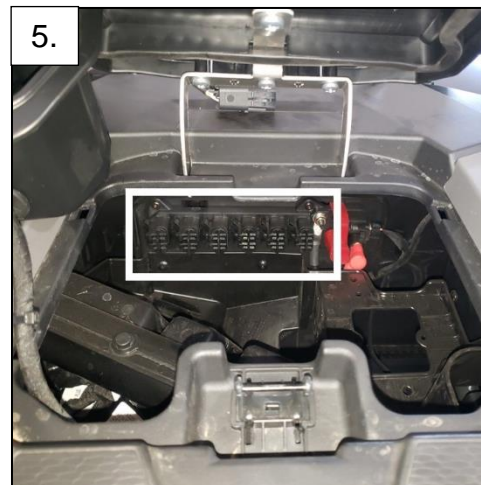
3. Locate the included 2-pin splitter and plug it into the 2 outermost S1s.

4. Using the removed T40 Torx bolts, install the lights and lower fascia bracket into the vehicle. Ensure the power cords run towards the passenger side of the vehicle.



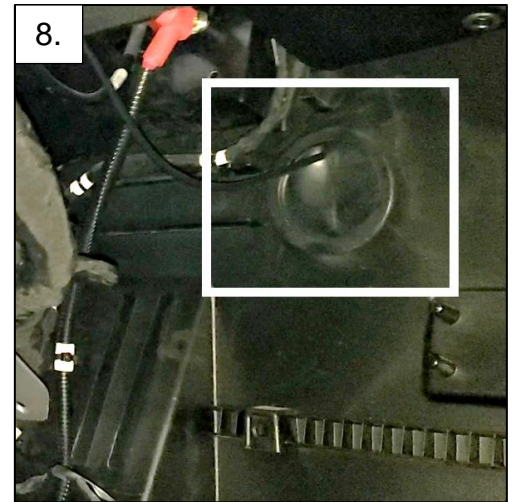
5. Open the dash center console and remove the console insert by removing the 2 hex head bolts and lifting the front out. Locate the pulse bar and remove one of the pulse bar caps. Plug in the included wiring harness pulse bar connector to the slot.

6. Locate the rocker switch on the wiring harness, take a photo of the wiring and unplug the spade connectors. From the passenger side footwell, reach up into the dash and locate the back of the desired rocker



7. Run the switch wires through the dash to the desired switch location. Plug in the switch wires following the reference photo and install the switch into the dash.

8. Run the light plug through the dash and the wire passthrough found on the passenger side firewall. Run the wires up, forward of the sway bar, and down towards the S1s. Make sure to avoid any hot, sharp, rotating or moving components.



9. Plug the harness connectors into the center S1 and the splitter harness. Secure all loose and hanging wires with zip ties and out of the way of any moving, hot, or sharp components.



*Tie all wires away from sharp, hot, and/or rotating components.

* Re-torque all the fasteners after 100 miles.

*Your install is now complete! Thank you for choosing Baja Designs.