



***baja designs***<sup>®</sup>  
*The Scientists of Lighting*

## **2019 Ford Ranger Squadron Grill kit Instructions (44-7609, 44-7610)**



185 Bosstick Boulevard • San Marcos • CA • 92069

Phone 760-560-2252 • Fax 760-560-0383

[info@bajadesigns.com](mailto:info@bajadesigns.com) • [www.bajadesigns.com](http://www.bajadesigns.com)



***baja designs***<sup>®</sup>  
*The Scientists of Lighting*

## **LIMITED LIFETIME WARRANTY**

Baja Designs proudly offers a LIFETIME WARRANTY against manufacturer's defect on all the products that we manufacture.

These are comprehensive warranties; other than the exclusions below – you're covered. If your LED or HID bulb burns out, you're covered. Additionally, cutting off our connector or changing your lenses does not automatically void your warranty.

### **Exclusions:**

Installation errors, abuse, misuse or crash damage. You must be the original owner of the product and can supply proof of purchase.

Baja Designs manufactures its own products as well as resells products manufactured by others. Baja Designs makes no express or implied warranties on products not manufactured by Baja Designs including without limitation any warranties or merchantability and fitness for a purpose. We will however, pass on all warranties made by the manufacturer, who has sole responsibility for performing such warranties.

Baja Designs will pay the freight if your product is less than 90 days old, otherwise defective products must be returned to Baja Designs, Inc., freight prepaid. At our option, we will repair or replace items in question and return them at no charge. If the identical product is no longer available, we will replace with a similar product of equal value. Baja Designs Inc. will not be responsible for any indirect or consequential damages in connection with defective merchandise.

Items purchased through a Baja Designs authorized dealer must be returned through the dealer. Only available on LED auxiliary lights and product must be in sellable condition at MSRP. Product that has been damaged in any way after the original purchase date will be excluded from this guarantee.

### **Indemnification:**

**Buyer hereby acknowledges off-roading, racing and driving at night are dangerous activities and that the products and/or supplies purchased from Baja Designs are used in an inherently dangerous activity that may endanger life and limb; and in no event shall the seller, or seller's heirs and assigns, be held liable for consequential damages, nor shall seller's liability on any claim for damages arising out of or connected with the sale, delivery, or use of purchased products and/or supplies exceed the purchase price of the products and/or supplies.**



**baja designs**  
The Scientists of Lighting

### 2019 Ford Ranger Squadron lower grille kit

#### Tools Required

7/16" wrench

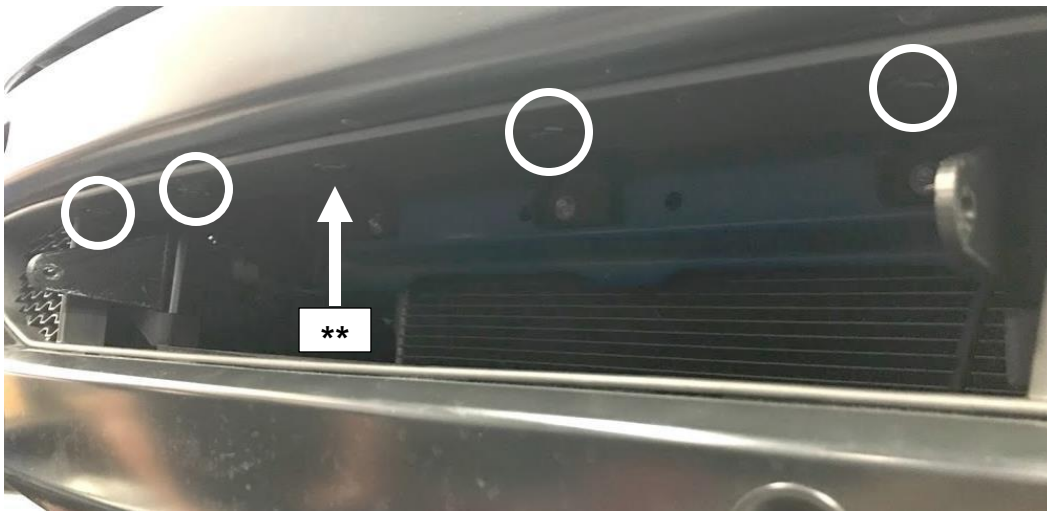
7/16" socket wrench

2.5 mm Allen wrench

Standard screwdriver (flathead)

\*\*Special note: Ranger models without the sensor in the middle of the lower bumper opening can use a 5<sup>th</sup> Squadron light in the center hole location if desired.

1. To begin, locate the four plastic valence fasteners circled below in the lower grill opening. These locations will be used to mount the Squadron lights.



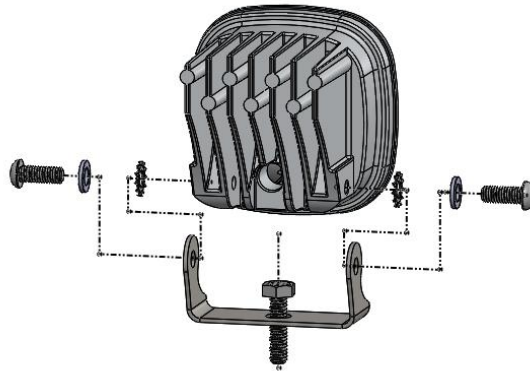
2. Using a Standard screwdriver, pry up the head of the plastic fastener in the grooved portion similar to the image below. Once the head is pulled out from the base of the fastener, the entire fastener can be pulled out. It may require gently prying the base. Repeat for the rest of the fasteners. These will not be used.





**baja designs**  
The Scientists of Lighting

3. Locate the Squadron part bags and using the picture below, assemble the bracket onto the light. With the 2.5 mm Allen wrench, remove the bezels and lenses, rotate 180 deg and re-assemble.
  - a. Note: make sure to put the 7/16" hex head mounting bolt through the washer and bracket before threading the buttonhead housing bolts into the light.



4. Place washer on the bracket over the bolt as shown below. Place light assembly into the mounting hole, add washer, add nyloc nut, aim, and tighten. Repeat for the remaining lights.
  - a. Note: it may be helpful to leave the housing bolts loose allowing the light to tilt out of the way of the 7/16" wrench while fastening the bracket to the vehicle.



Re-torque all the fasteners after 100 miles.

See wiring harness instructions to complete the installation.

Your install is now complete! Thank you for choosing Baja Designs.