



baja designs[®]
The Scientists of Lighting

**2019 Ford Ranger Squadron Fog Pocket kit
Instructions
(44-7606, 44-7607, 44-7608, 44-7616, 44-7716)**



185 Bosstick Boulevard • San Marcos • CA • 92069

Phone 760-560-2252 • Fax 760-560-0383

info@bajadesigns.com • www.bajadesigns.com



baja designs[®]
The Scientists of Lighting

LIMITED LIFETIME WARRANTY

Baja Designs proudly offers a LIFETIME WARRANTY against manufacturer's defect on all the products that we manufacture.

These are comprehensive warranties; other than the exclusions below – you're covered. If your LED or HID bulb burns out, you're covered. Additionally, cutting off our connector or changing your lenses does not automatically void your warranty.

Exclusions:

Installation errors, abuse, misuse or crash damage. You must be the original owner of the product and can supply proof of purchase.

Baja Designs manufactures its own products as well as resells products manufactured by others. Baja Designs makes no express or implied warranties on products not manufactured by Baja Designs including without limitation any warranties or merchantability and fitness for a purpose. We will, however, pass on all warranties made by the manufacturer, who has sole responsibility for performing such warranties.

Baja Designs will pay the freight if your product is less than 90 days old, otherwise defective products must be returned to Baja Designs, Inc., freight prepaid. At our option, we will repair or replace items in question and return them at no charge. If the identical product is no longer available, we will replace with a similar product of equal value. Baja Designs Inc. will not be responsible for any indirect or consequential damages in connection with defective merchandise.

Items purchased through a Baja Designs authorized dealer must be returned through the dealer. Only available on LED auxiliary lights and product must be in sellable condition at MSRP. Product that has been damaged in any way after the original purchase date will be excluded from this guarantee.

Indemnification:

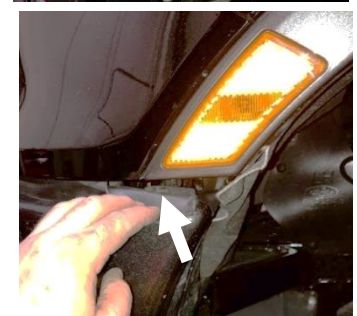
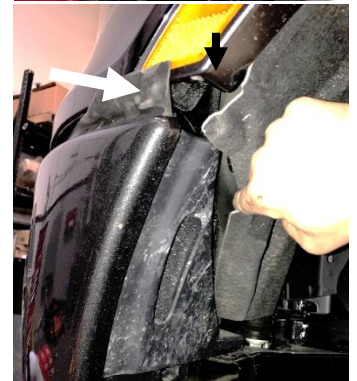
Buyer hereby acknowledges off-roading, racing and driving at night are dangerous activities and that the products and/or supplies purchased from Baja Designs are used in an inherently dangerous activity that may endanger life and limb; and in no event shall the seller, or seller's heirs and assigns, be held liable for consequential damages, nor shall seller's liability on any claim for damages arising out of or connected with the sale, delivery, or use of purchased products and/or supplies exceed the purchase price of the products and/or supplies

2019 Ford Ranger Squadron Fog Pocket Kit

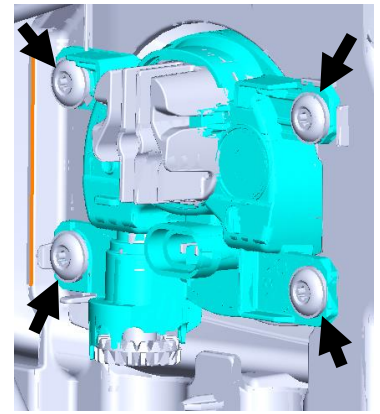
Tools Required

- T25 Torx bit driver
- 4mm Allen wrench
- 10mm, 13mm, and 18mm Socket wrenches
- Standard Screwdriver (flathead)

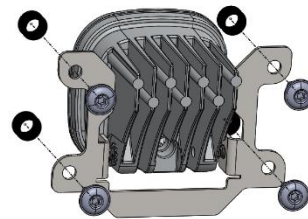
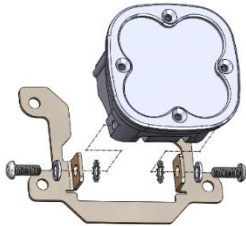
1. To begin, turn the wheel toward the side you are working on. Remove the fasteners circled in the front driver-side fender well picture on the right with the 10mm socket wrench. This backsplash is directly behind the fog lamp area.
2. Fold back the rubber flap in between the front bumper and fender shown on the right. Carefully pull back the upper inner fender well to reveal the top of the fog light backsplash.
3. With a Flathead screwdriver, pry the plastic fastener out of the backsplash. Remove fastener, then remove backsplash.
4. Remove the harness clip from the arrowed hole on the right. Using the 13mm socket wrench, remove the two circled bolts that mount the fog light backsplash bracket. Place the bracket aside.



5. Unplug the OEM fog lights. Locate the four T25 head Torx bit fasteners that mount the light assemblies (Pictured on right). After removing the screws, remove the light.



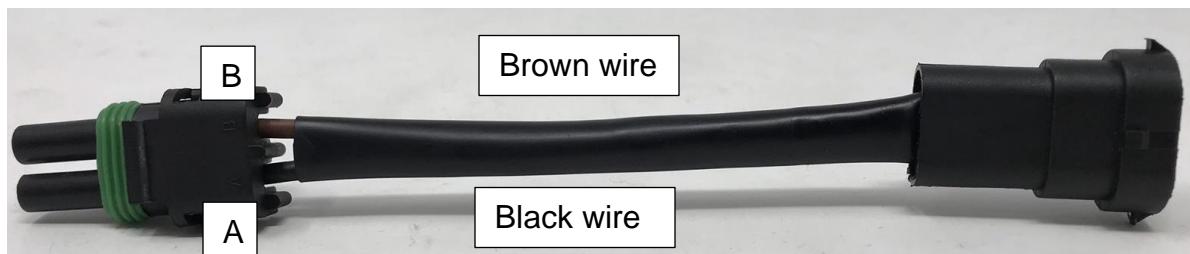
6. Using the provided hardware and 4mm Allen wrench assemble the bracket to the Squadron light in reference to the exploded view on the left below.



7. Mount the new fog light assembly with one OEM T25 screw and one included spacer in between the bracket and the mount (see exploded view above on the right). Thread the screw in just enough to hold the assembly in the vehicle. Place the rest of the spacers one at a time and thread in each associated screw. Tighten all four.

(Tip: glue can be used to hold spacers on the bracket while mounting.)

8. Locate the plug and play harness adapters included with your kit (pictured below). The adapter comes with the Squadron side connector unpinned, so the weather pak connector will need to be attached. Slide the black wire terminal into the side marked "A" on the connector and the brown wire into "B". Connect the inline harness adapters to the factory plugs and then plug in the Squadron power cords.



9. Now, turn on the fog lamps to aim the first light. The fog light assembly will need to come out to adjust if needed. Make necessary adjustments before proceeding.
10. Follow steps 1-4 in reverse to complete one side of the installation.
11. Repeat steps 1-10 for the opposite side of the vehicle.

Re-torque all the fasteners after 100 miles.

Your install is now complete! Thank you for choosing Baja Designs.