



***baja designs***<sup>®</sup>  
*The Scientists of Lighting*

## **2019 Chevrolet Silverado A-pillar kit Instructions (44-7523, 44-7524, 44-7525)**



2950 Norman Strasse Rd • San Marcos • CA • 92069

Phone 760-560-2252 • Fax 760-560-0383

[info@bajadesigns.com](mailto:info@bajadesigns.com) • [www.bajadesigns.com](http://www.bajadesigns.com)



***baja designs***<sup>®</sup>  
*The Scientists of Lighting*

## **LIMITED LIFETIME WARRANTY**

Baja Designs proudly offers a LIFETIME WARRANTY against manufacturer's defect on all the products that we manufacture.

These are comprehensive warranties; other than the exclusions below – you're covered. If your LED or HID bulb burns out, you're covered. Additionally, cutting off our connector or changing your lenses does not automatically void your warranty.

### **Exclusions:**

Installation errors, abuse, misuse or crash damage. You must be the original owner of the product and can supply proof of purchase.

Baja Designs manufactures its own products as well as resells products manufactured by others. Baja Designs makes no express or implied warranties on products not manufactured by Baja Designs including without limitation any warranties or merchantability and fitness for a purpose. We will however, pass on all warranties made by the manufacturer, who has sole responsibility for performing such warranties.

Baja Designs will pay the freight if your product is less than 90 days old, otherwise defective products must be returned to Baja Designs, Inc., freight prepaid. At our option, we will repair or replace items in question and return them at no charge. If the identical product is no longer available, we will replace with a similar product of equal value. Baja Designs Inc. will not be responsible for any indirect or consequential damages in connection with defective merchandise. Items purchased through a Baja Designs authorized dealer must be returned through the dealer. Only available on LED auxiliary lights and product must be in sellable condition at MSRP. Product that has been damaged in any way after the original purchase date will be excluded from this guarantee.

### **Indemnification:**

**Buyer hereby acknowledges off-roading, racing and driving at night are dangerous activities and that the products and/or supplies purchased from Baja Designs are used in an inherently dangerous activity that may endanger life and limb; and in no event shall the seller, or seller's heirs and assigns, be held liable for consequential damages, nor shall seller's liability on any claim for damages arising out of or connected with the sale, delivery, or use of purchased products and/or supplies exceed the purchase price of the products and/or supplies.**

**Buyer is responsible for ensuring that it uses the products (and its vehicle) in accordance with all applicable laws, regulations, guidelines, and standards of care. Buyer acknowledges that some products may only be used when off-roading, and Buyer will comply with all vehicle and road safety guidelines. Buyer is solely responsible for (and will indemnify and hold Bestop harmless for) any claims, losses, damages, fines, fees, costs, or other amounts arising out of Buyer's non-compliance with these provisions.**



***baja designs***  
The Scientists of Lighting

### 2019 Chevy Silverado A-pillar kit instructions

#### Tools Required

13mm

Standard screwdriver (Flathead)

9/16" wrench

9/16" Socket wrench

4mm Allen wrench

Sissors

1. To begin, locate the upper hood hinge bolts in the picture below. These will be used to mount the A-Pillar brackets.



2. Place masking tape along the hood hinges (shown below) to ensure proper alignment.





**baja designs**  
The Scientists of Lighting

3. Start on one side and **do not move on to the opposite side until the first side is finished.** While supporting the hood, demount the gas strut using the standard screwdriver by prying the metal band up just enough to release the ball joint. See image.



4. Rotate the gas strut toward the front of the vehicle and rest it on the radiator core support inboard of the hood rests. This will keep it out of the way as you work on the hood. You can close the hood momentarily.



5. Locate the brackets included in the kit, as well as the small rubber pads. Remove the backing paper and stick the rubber onto the metal brackets as shown below. Trim.







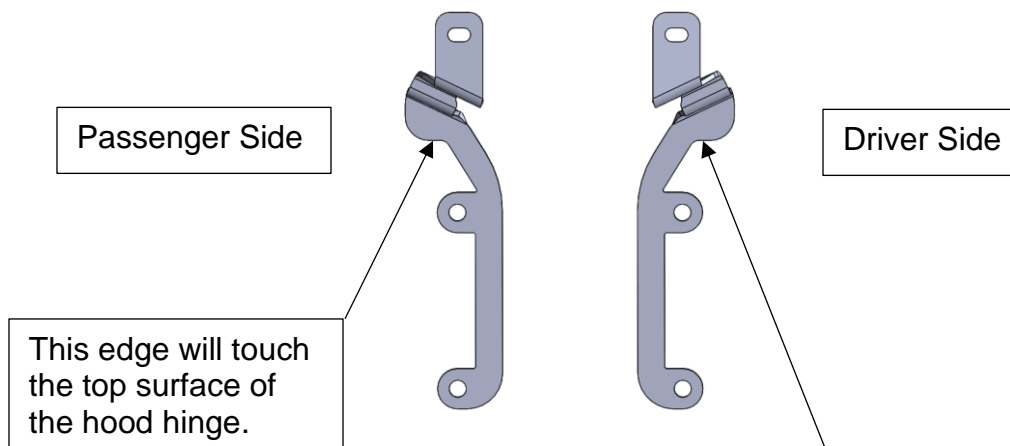
**baja designs**  
The Scientists of Lighting

- For these next steps, it is recommended, but not necessary to complete this installation with assistance. Using an appropriate item, like a cardboard box, prop the hood open as pictured below. Alternatively, you can ask an assistant to hold it open.



- On the same side the gas strut was removed, hold the back corner of the hood down and loosen the nuts holding the hinge onto the hood (Use 13mm wrench). **Be sure not to let the hood lift or move in any way that could damage the assembly.** Remove nuts and keep holding the hood. Place the bracket through the opening at the lower portion of the hood while it is open from the windshield side. Place the bracket under the hood hinge bracket and over the mounting studs (\*See images on next page\*). Thread on the nuts finger tight. Align with the masking tape from step 2 and fully tighten the nuts. Note: the brackets **do not** go inbetween hood hinge and hood. The brackets are meant to wrap around the hood hinges and draw support from top surface.

#### Top View

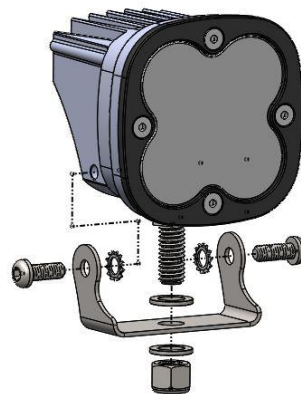




**baja designs**  
The Scientists of Lighting



8. Now, open the hood all the way and snap the gas strut back onto the ball joint with modest force until a “click” is heard. Repeat steps 3 through 7 for the opposite side of the vehicle.
9. Once the brackets are in place, close the hood. Assemble the Squadron lights to the standard Squadron brackets as shown below using 4mm Allen wrench. Note: place the 3/8” bolt through the bracket before mounting the light.



10. Now with the 9/16” wrench and socket, the lights can be placed onto the A-pillar brackets, aimed, and tightened.



**baja designs**  
The Scientists of Lighting

### Wiring Guide



1. Use the provided harness and connect both A-Pillar lights.
2. Determine a desired dash location for the toggle switch. Using a  $\frac{3}{4}$ " stepped drill bit, drill a hole. Be mindful of what is behind the dash and remove dash if necessary.
3. Take a quick picture of the switch terminals for reference later. Remove the switch terminals from the switch, run the harness through the firewall and through the desired dash location.
4. Reattach the toggle switch and press into the dash.
5. Connect the +12V (red wire) to the positive battery terminal and the -12V ground (black wire) to the negative battery terminal.

Re-torque all the fasteners after 100 miles.

Your install is now complete! Thank you for choosing Baja Designs.