



baja designs[®]
THE SCIENTISTS OF LIGHTING

**44-0071, 44-8155, 44-8156, 44-0072, 44-8161 Surrón
S1/S2/Squadron 2.0 headlight replacement kit**



2950 Norman Strasse Rd. • San Marcos • CA • 92069

Phone 760-560-2252 • Fax 760-560-0383

info@bajadesigns.com • www.bajadesigns.com



baja designs[®]
THE SCIENTISTS OF LIGHTING

LIMITED LIFETIME WARRANTY

Baja Designs proudly offers a LIFETIME WARRANTY against manufacturer's defect on all the products that we manufacture.

These are comprehensive warranties; other than the exclusions below – you're covered. If your LED or HID bulb burns out, you're covered. Additionally, cutting off our connector or changing your lenses does not automatically void your warranty.

Exclusions:

Installation errors, abuse, misuse or crash damage. You must be the original owner of the product and can supply proof of purchase.

Baja Designs manufactures its own products as well as resells products manufactured by others. Baja Designs makes no express or implied warranties on products not manufactured by Baja Designs including without limitation any warranties or merchantability and fitness for a purpose. We will, however, pass on all warranties made by the manufacturer, who has sole responsibility for performing such warranties.

Baja Designs will pay the freight if your product is less than 90 days old, otherwise defective products must be returned to Baja Designs, Inc., freight prepaid. At our option, we will repair or replace items in question and return them at no charge. If the identical product is no longer available, we will replace with a similar product of equal value. Baja Designs Inc. will not be responsible for any indirect or consequential damages in connection with defective merchandise.

Items purchased through a Baja Designs authorized dealer must be returned through the dealer. Only available on LED auxiliary lights and product must be in sellable condition at MSRP. Product that has been damaged in any way after the original purchase date will be excluded from this guarantee.

Indemnification:

Buyer hereby acknowledges off-roading, racing and driving at night are dangerous activities and that the products and/or supplies purchased from Baja Designs are used in an inherently dangerous activity that may endanger life and limb; and in no event shall the seller, or seller's heirs and assigns, be held liable for consequential damages, nor shall seller's liability on any claim for damages arising out of or connected with the sale, delivery, or use of purchased products and/or supplies exceed the purchase price of the products and/or supplies

Tools Required

* 4mm, 7/16, 9/16 socket
* 4mm, 7/16, 9/16 Wrench

* 4mm Allen Key
* 2.5mm Allen Key

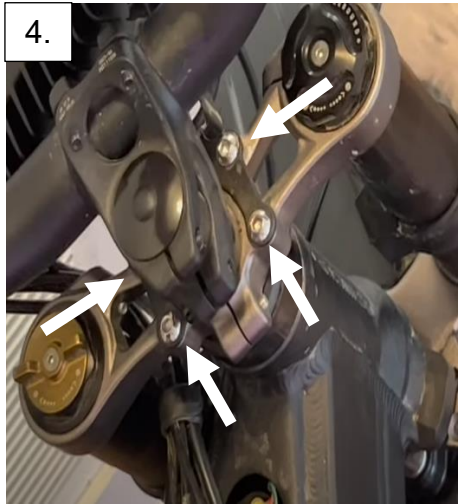
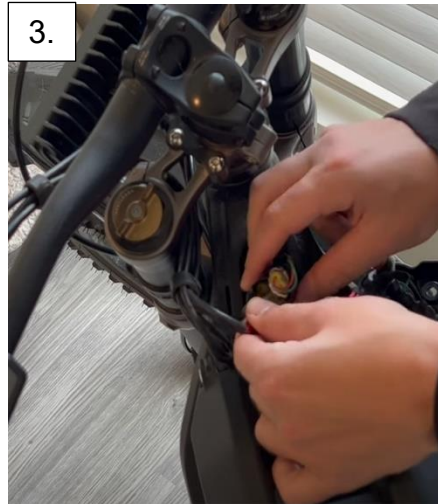
1. Turn off the breaker to the battery power. Then, disconnect the main power cables to the bike.

2. Using the Allen key that came with the bike, remove the two bolts holding the ignition switch in.

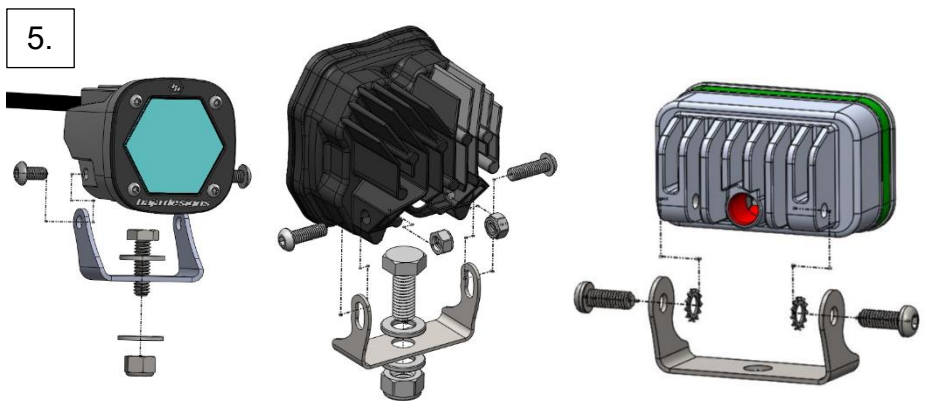


3. Follow the wire leading from the front headlight back to the correct connector inside a boot containing three connectors. Disengage the connector and make sure to mark which connector lead to the headlight. Pull the headlight pigtail out of the ignition bay.

4. Using the OEM Allen key that came with the bike, disconnect the four Allen key bolts holding down the headlight bracket. Remove the headlight and headlight bracket completely and set aside.

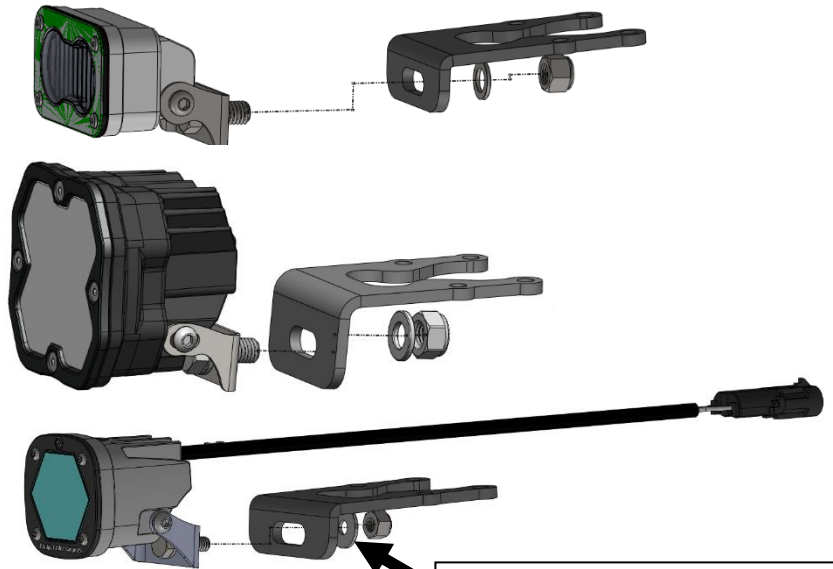


5. If purchased a SQ 2.0 or S2, use a 4mm Allen key to assemble the lights. If purchased an S1 kit, use a 3mm Allen key to assemble the light.



6. Assemble the light onto the included bracket by referencing the following image. SQ 2.0/S2 will utilize 9/16" socket and wrench, whilst an S1 kit will utilize 7/16" socket and wrench. Please note that the S1 kit will require an extra-large washer to be used on the back of the bracket instead of the small washer in the parts bag as shown.

6.



8. Mount the headlight bracket back onto the handle mount and reinstall the four bolts on top.

8



9. Mount the included harness adapter onto the bike using a 4mm socket or wrench. For SQ 2.0, use a 2.5mm Allen Key to mount the harness adapter. A recommended switch location is shown in the image to the right. (Image reference 9)

9



10. Plug in the appropriate plugs to the original wiring harness. Note the plugs and where they plug into. One of the power plugs will not be used depending on the bike.

Squadron 2.0 Adapter Harness



11. Route the leads down back through the front of the bike and below the ignition. Plug the white connector of the provided harness into the connector that was previously disconnected from the original headlight. Then, run the Baja Designs light connector tail beneath the ignition and plug it into the provided harness. Tuck all exposed wires below the ignition, then reinstall the ignition switch using the two bolts that was removed earlier.



12. Plug back in the bikes power cables. Then, switch back on the circuit breaker. The light should turn on when the ignition and light switch button is on. The three-way switch is used to turn the light on as well as set the backlight feature on the Squadron 2.0. Flip the three-way switch between the on and off position until the desired color is set for the backlight. (See image i for reference). Note that the backlight feature and the main light feature **cannot** be on at the same time. The selected backlight color will not be reset when switched off.



*Tie all wires away from sharp, hot, and/or rotating components.

* Re-torque all the fasteners after 100 miles.

*Your install is now complete! Thank you for choosing Baja Designs.