



### Baja Designs Features:

- Satisfaction Guaranteed** - 30 Day Money Back Guarantee
- Limited Lifetime Warranty** - Complete Purchase protection
- uService®** - Replaceable Lenses And Optics
- ClearView®** - All The Light, Right Where You Need It
- MoistureBlock™** - Waterproof, Rain proof, Submersible
- CopperDrive®** - Only LED Driven At 100%
- 5000K Daylight** - Less Driver Fatigue, Natural Color

### Specifications:

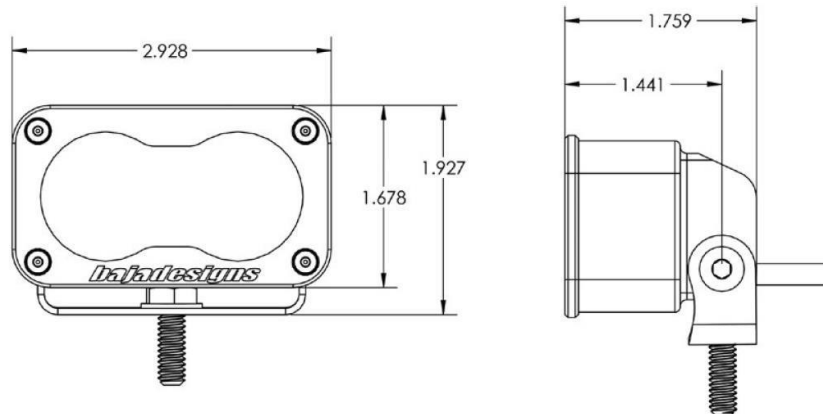
- Lumens:** 1,130 Utilizing 2 Cree XM-L2 LEDs
- Weight:** 8 ounces
- Wattage/Amps:** 12W / .9A
- Dimensions:** 2.93" x 1.76" x 1.68"
- LED Life Expectancy:** 49,930 Hours
- Front Lens:** Hard Coated Polycarbonate
- Housing:** Powder Coat Bezel -Hard Anodize
- Hardware & Bracket Material:** Stainless Steel
- Exceeds MIL-STD810G**
- Built-In Overvoltage Protection**



### Standards of Compliance:

- MIL-STD-810G Certified** - (Low Temperature Test, High Temperature, Temperature & Humidity, Thermal Shock Cycling, Dust, Random Vibration, Mechanical Shock, Low Pressure & Drip Box Water)
- IP69K Certified** - (Submersible to 9ft)
- IK10 Compliant** - (Mechanical Impact Testing)
- Salt Spray Certified**





**Driving/Combo:** Maximum trail coverage in a single light. The Driving/Combo pattern is equipped with both Driving (42°) and spot (9°) optics to provide you with a smooth blend of light for both near field applications and distance (Lighting Zone 3)

**Wide Cornering:** BD was the first to develop a pattern specifically for cornering, dust and/or fog conditions. The Wide Driving pattern offers a 42° flattened horizontal beam for the ultimate in comfort lighting. (Lighting Zones 1 & 2)

**Spot:** A longer and narrower 9° beam focus for illumination further down the trail or road. The Spot pattern is designed to be used in conjunction with additional Wide Driving and/or Driving/Combo beam lights. (Lighting Zone 4 & 5)

**Flood:** Excellent work light or “scene light” with an extremely smooth 115° circle that projects about 40ft. This pattern is not suitable for driving. (Lighting Zone 7)

Part Number	Description	Raw Lumens Output	Watts Input	L inches	W inches	H inches	Weight
<b>Spot</b>							
54-0001	S2 SPORT, LED Light - Spot	1,130	1 2	2.93	1.76	1.68	8
54-1001	S2 SPORT, Flush Mount LED Light - Spot	1,130	1 2	2.93	1.76	1.68	8
54-0011	S2 SPORT, LED Light - Amber Spot	1,130	1 2	2.93	1.76	1.68	8
54-1011	S2 SPORT, Flush Mount LED Light – Amber Spot	1,130	1 2	2.93	1.76	1.68	8
<b>Driving Combo</b>							
54-0003	S2 SPORT, LED Light – Driving Combo	1,130	1 2	2.93	1.76	1.68	8
54-1003	S2 SPORT, Flush Mount LED Light – Driving Combo	1,130	1 2	2.93	1.76	1.68	8
54-0013	S2 SPORT, LED Light - Amber Driving Combo	1,130	1 2	2.93	1.76	1.68	8
54-1013	S2 SPORT, Flush Mount LED Light – Amber Driving Combo	1,130	1 2	2.93	1.76	1.68	8
54-1203	S2 SPORT, LED Light – Driving Combo	1,130	1 2	2.93	1.76	1.68	8



54-3103	S2 SPORT, LED Light – Driving Combo - Blue	1,130	1 2	2.93	1.76	1.68	8
54-4103	S2 SPORT, LED Light – Driving Combo - Green	1,130	1 2	2.93	1.76	1.68	8
<b>Flood</b>							
54-0006	S2 SPORT, LED Light - Flood	1,130	1 2	2.93	1.76	1.68	8
54-1006	S2 SPORT, Flush Mount LED Light - Flood	1,130	1 2	2.93	1.76	1.68	8
54-0016	S2 SPORT, LED Light - Amber Flood	1,130	1 2	2.93	1.76	1.68	8
54-1016	S2 SPORT, Flush Mount LED Light – Amber Flood	1,130	1 2	2.93	1.76	1.68	8
<b>Wide Cornering</b>							
54-0005	S2 SPORT, LED Light - Wide Cornering	1,130	1 2	2.93	1.76	1.68	8
54-1005	S2 SPORT, Flush Mount LED Light - Wide Cornering	1,130	1 2	2.93	1.76	1.68	8
<b>Marine/White</b>							
	<b>For Marine White use part # - WT</b>						
	<b>Example: 54-0001-WT</b>						
<b>Pairs</b>	<b>Example: 54-78## the two-pound symbols can be used to reflect the pattern.</b>						