



Baja Designs Features:

- **Satisfaction Guaranteed** - 30 Day Money Back Guarantee
- **Limited Lifetime Warranty** - Complete Purchase Protection
- **uService®** - Replaceable Lenses And Optics
- **ClearView®** - All The Light, Right Where You Need It
- **MoistureBlock™** - Waterproof, Rain Proof, Submersible
- **CopperDrive®** - Only LED Driven At 100%



Specifications for RTL:

- **Wattage/Amps:**
- **Running Light w/ Amber Marker:** 12W
- **Brake Light w/ Amber Marker:** 30W
- **White Light:** 18W
- **Dimensions:** 32.125" x 2.15" x 1.5"
- **Weight:** 3.75 lbs
- **LED Life Expectancy:** 49,930 Hours
- **Front Lens:** Hard Coated Polycarbonate
- **Housing:** Aircraft Grade Aluminum w/Mil-Spec Hard Anodize
- **Bezel:** Billet Machined Aluminum
- **Hardware & Bracket Material:** Stainless Steel
- **Built-In Overvoltage Protection**

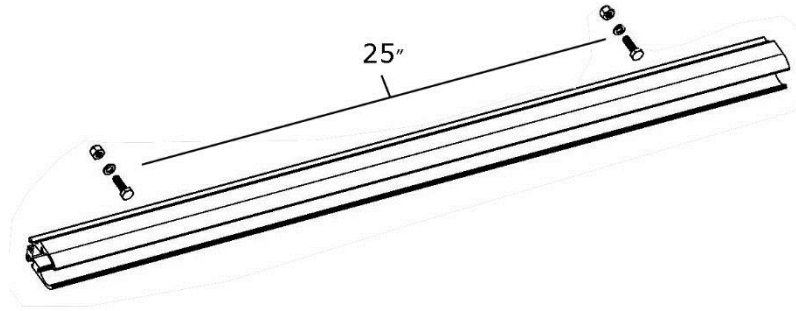


Specifications for RTL-B:

Wattage/Amps:
Running Light with Flashing Amber and Solid Amber: 10W
Brake Light w/Flashing Amber and Solid Amber: 28W
Blue Safety Marker: 19W
Dimensions: 32.125" x 2.15" x 1.5"
Weight: 3.75 lbs
LED Life Expectancy: 49,930 Hours
Front Lens: Hard Coated Polycarbonate
Housing: Aircraft Grade Aluminum w/Mil-Spec Hard Anodize
Hardware & Bracket Material: Stainless Steel

Standards of Compliance:

- **MIL-STD-810G Certified** - (Low Temperature Test, High Temperature, Temperature & Humidity, Thermal Shock Cycling, Dust, Random Vibration, Mechanical Shock, Low Pressure & Drip Box Water)
- **IP69k Certified** – (Submersible to 9ft)
- **IK10 Compliant** – (Mechanical Impact Testing)
- **Salt Spray Certified**
- **High/Medium Modes**



Part Number	Description	L inches	W inches	H inches	Weight (lb)
10-3002	RTL, 30" Light Bar	32.125	2.15	1.5	3.75
10-3001	RTL-B, 30" Light Bar	32.125	2.15	1.5	3.75