



Description:

The new Baja Designs Laser Light series is at the pinnacle of distance lighting. The Laser Light is capable of throwing light 30-40% farther than our current OnX6+ Light Bar. We have created a "Hybrid" light in order to give the user the ultimate lighting package. A 10" OnX6 Hybrid projects 2 laser chips and 4 LED chips through our High Speed Spot optic to deliver a far reaching, yet smooth blend of light – elevating forward projection lighting into the next generation! If you want to stay ahead of the competition with farthest reaching product on the market, look no further.

Note: 10" Hybrid bars can be operated with two switches. One to control the LED chips and another switch to control the two Laser chips.

Standards of Compliance:

MIL-STD-810G Certified

- (Low Temperature Test, High Temperature, Temperature & Humidity, Thermal Shock Cycling, Dust, Random Vibration, Mechanical Shock, Low Pressure & Drip Box Water)

IP69k Certified – (Submersible to 9ft)

IK10 Compliant – (Mechanical Impact Testing)

Salt Spray Certified
High/Medium Modes

Baja Designs Features:

- **Satisfaction Guaranteed** - 30 Day Money Back Guarantee
- **Limited Lifetime Warranty** - Complete Purchase Protection
- **uService®** - Replaceable Lenses And Optics
- **ClearView®** - All The Light, Right Where You Need It
- **MoistureBlock™** - Waterproof, Rain Proof, Submersible
- **CopperDrive®** - Only LED Driven At 100%
- **5000K Daylight** - Less Driver Fatigue, Natural Color

Specifications:

Lumens: 7,760 Utilizing 4 LEDs and 2 Laser Chips

Weight: 4.25 lbs per 10" Section

Wattage/Amps: 95W

Dimensions: 10" x 4.29" x 2.69"

LED Life Expectancy: 49,930 Hours

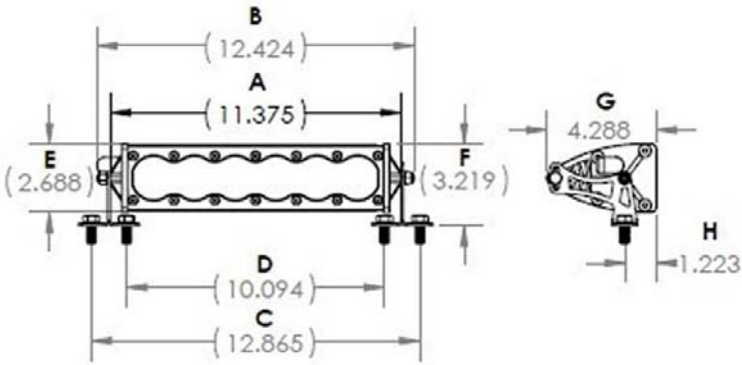
Front Lens: Hard Coated Polycarbonate

Housing: Aircraft Grade Aluminum w/Mil-Spec
Hard Anodize

Hardware & Bracket Material: Stainless Steel

Exceeds MIL-STD810G

Built-In Overvoltage Protection



Part Number	Description	Size	Lumens	Amps/Watts
45-1007	OnX6, 10" Hybrid LED and Laser Light Bar	10" x 4.29" x 2.69"	7,760	95w
45-2007	OnX6, 20" Hybrid LED and Laser Light Bar	20" x 4.29" x 2.69"	15,520	190w
45-3007	OnX6, 30" Hybrid LED and Laser Light Bar	30" x 4.29" x 2.69"	23,280	285w
45-4007	OnX6, 40" Hybrid LED and Laser Light Bar	40" x 4.29" x 2.69"	31,040	380w
45-5007	OnX6, 50" Hybrid LED and Laser Light Bar	50" x 4.29" x 2.69"	38,800	475w

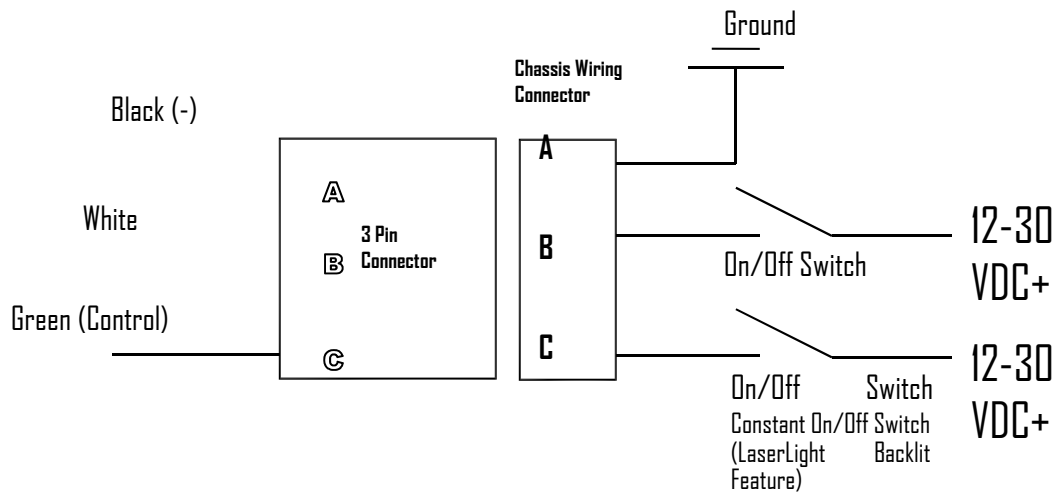


Baja Designs OnX6 Laser and S8 Wiring

The all new OnX6 Hybrid Laser has the middle laser section requires power to pin C which can be tied directly in with pin B if you want the entire light controlled on one switch or you can control the laser section independently on its own second on/off switch.

All S8 Light bars feature off/on and a unique backlit feature. To operate the backlit feature a second off/on switch will be required to provide positive power to Pin C. If you do not need this feature, then a single standard on/off switch is all that is needed.

Connector Wiring (WeatherPak 3 Pin Connector)



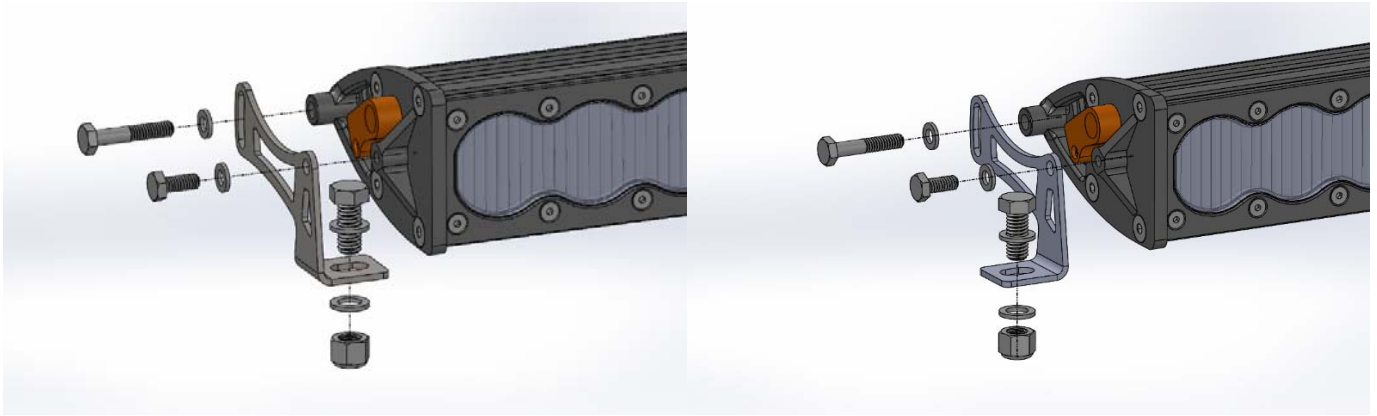
When using the optional second switch, depressing the switch will turn on the Laser section/backlit feature. Depressing the switch again will turn the backlit light off.

Moisture Block: The Moisture Block functions exactly as it sounds, completely blocking moisture or water from climbing its way up the cord into your LED light.

*Cutting past the Moisture Block will **VOID YOUR WARRANTY***



OnX6 LED Light Bar Mounting



If you have any questions, please don't hesitate to give us a call at 760-560-2252!