



Baja Designs Features:

- **Satisfaction Guaranteed** - 30 Day Money Back Guarantee
- **Limited Lifetime Warranty** - Complete Purchase Protection
- **uService®** - Replaceable Lenses And Optics
- **ClearView®** - All The Light, Right Where You Need It
- **MoistureBlock™** - Waterproof, Rain Proof, Submersible
- **CopperDrive®** - Only LED Driven At 100%
- **5000K Daylight** - Less Driver Fatigue, Natural Color

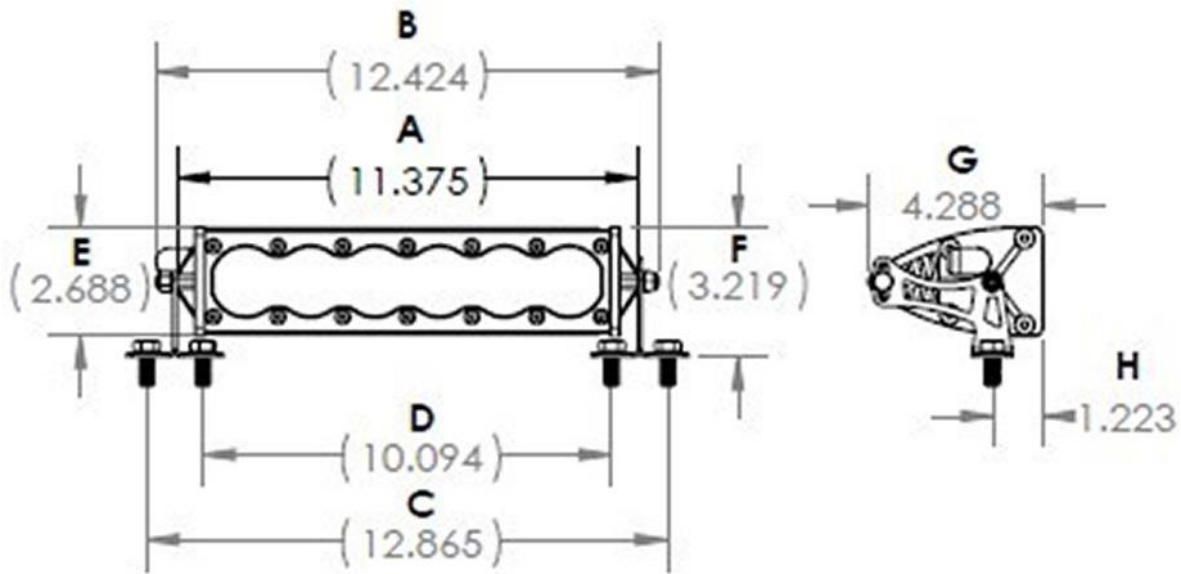
Specifications:

- **Lumens:** 7,350 Utilizing 6 Cree XM-L2 LED
- **Candela:** 280,971 (CD)
- **Weight:** 3.6 lbs per 10" Section
- **Wattage/Amps:** 63W / 5.25A
- **Dimensions:** 10" x 4.29" x 2.69"
- **LED Life Expectancy:** 49,930 Hours
- **Front Lens:** Hard Coated Polycarbonate
- **Housing:** Aircraft Grade Aluminum w/Mil-Spec Hard Anodize
- **Hardware & Bracket Material:** Stainless Steel
- **Exceeds MIL-STD810G**
- **Built-In Overvoltage Protection**



Standards of Compliance:

- **MIL-STD-810G Certified** - (Low Temperature Test, High Temperature, Temperature & Humidity, Thermal Shock Cycling, Dust, Random Vibration, Mechanical Shock, Low Pressure & Drip Box Water)
- **IP69k Certified** – (Submersible to 9ft)
- **IK10 Compliant** – (Mechanical Impact Testing)
- **Salt Spray Certified**
- **High/Medium Modes**



| Part Number | Description | Raw Lumens Output | Watts Input | L inches | W inches | H inches | Weight (lb) |
|------------------------|---|-------------------|-------------|----------|----------|----------|-------------|
| High Speed Spot | | | | | | | |
| 45-1001 | OnX6, 10" LED Light Bar - High Speed Spot | 7,350 | 58.5 | 10 | 4.29 | 2.69 | 4.25 |
| 45-2001 | OnX6, 20" LED Light Bar - High Speed Spot | 14,700 | 117 | 20 | 4.29 | 2.69 | 8.50 |
| 45-3001 | OnX6, 30" LED Light Bar - High Speed Spot | 22,050 | 175.5 | 30 | 4.29 | 2.69 | 12.75 |
| 45-4001 | OnX6, 40" LED Light Bar - High Speed Spot | 29,400 | 234 | 40 | 4.29 | 2.69 | 17 |
| 45-5001 | OnX6, 50" LED Light Bar - High Speed Spot | 36,750 | 292.5 | 50 | 4.29 | 2.69 | 21.25 |
| Driving Combo | | | | | | | |
| 45-1003 | OnX6, 10" LED Light Bar - Driving Combo | 7,350 | 58.5 | 10 | 4.29 | 2.69 | 4.25 |
| 45-2003 | OnX6, 20" LED Light Bar - Driving Combo | 14,700 | 117 | 20 | 4.29 | 2.69 | 8.50 |
| 45-3003 | OnX6, 30" LED Light Bar - Driving Combo | 22,050 | 175.5 | 30 | 4.29 | 2.69 | 12.75 |
| 45-4003 | OnX6, 40" LED Light Bar - Driving Combo | 29,400 | 234 | 40 | 4.29 | 2.69 | 17 |
| 45-5003 | OnX6, 50" LED Light Bar - Driving Combo | 36,750 | 292.5 | 50 | 4.29 | 2.69 | 21.25 |
| Wide Driving | | | | | | | |
| 45-1004 | OnX6, 10" LED Light Bar - Wide Driving | 7,350 | 58.5 | 10 | 4.29 | 2.69 | 4.25 |
| 45-2004 | OnX6, 20" LED Light Bar - Wide Driving | 14,700 | 117 | 20 | 4.29 | 2.69 | 8.50 |



| | | | | | | | |
|---------------------------------|--|---|-------|----|------|------|-------|
| 45-3004 | OnX6, 30" LED Light Bar - Wide Driving | 22,050 | 175.5 | 30 | 4.29 | 2.69 | 12.75 |
| 45-4004 | OnX6, 40" LED Light Bar - Wide Driving | 29,400 | 234 | 40 | 4.29 | 2.69 | 17 |
| 45-5004 | OnX6, 50" LED Light Bar - Wide Driving | 36,750 | 292.5 | 50 | 4.29 | 2.69 | 21.25 |
| Amber Wide Driving | | | | | | | |
| 45-1014 | OnX6, 10" LED Light Bar - Amber Wide Driving | 7,350 | 58.5 | 10 | 4.29 | 2.69 | 4.25 |
| 45-2014 | OnX6, 20" LED Light Bar - Amber Wide Driving | 14,700 | 117 | 20 | 4.29 | 2.69 | 8.50 |
| 45-3014 | OnX6, 30" LED Light Bar - Amber Wide Driving | 22,050 | 175.5 | 30 | 4.29 | 2.69 | 12.75 |
| 45-4014 | OnX6, 40" LED Light Bar - Amber Wide Driving | 29,400 | 234 | 40 | 4.29 | 2.69 | 17 |
| 45-5014 | OnX6, 50" LED Light Bar - Amber Wide Driving | 36,750 | 292.5 | 50 | 4.29 | 2.69 | 21.25 |
| Arc Series | For Arc Series use part # 52-XXXX | Available in 30", 40", 50" and 60" sizes | | | | | |
| Dual Control Series | For Dual Control Series use part # 46-XXXX | Available in 30", 40", 50" and 60" sizes | | | | | |
| Racer Edition | For Racer Edition Series use part # 41-XXXX | Available in 30", 40", 50" and 60" sizes | | | | | |
| Racer Edition Arc Series | For Racer Edition Arc Series use part # 42-XXXX | Available in 30", 40", 50" and 60" sizes | | | | | |



Isolux Charts

