



bajadesigns[®]
The Scientists of Lighting

2019 Ford Ranger A-pillar kit Instructions (44-7628, 44-7629)



185 Bosstick Boulevard • San Marcos • CA • 92069

Phone 760-560-2252 • Fax 760-560-0383

info@bajadesigns.com • www.bajadesigns.com



baja designs[®]
The Scientists of Lighting

LIMITED LIFETIME WARRANTY

Baja Designs proudly offers a LIFETIME WARRANTY against manufacturer's defect on all the products that we manufacture.

These are comprehensive warranties; other than the exclusions below – you're covered. If your LED or HID bulb burns out, you're covered. Additionally, cutting off our connector or changing your lenses does not automatically void your warranty.

Exclusions:

Installation errors, abuse, misuse or crash damage. You must be the original owner of the product and can supply proof of purchase.

Baja Designs manufactures its own products as well as resells products manufactured by others. Baja Designs makes no express or implied warranties on products not manufactured by Baja Designs including without limitation any warranties or merchantability and fitness for a purpose. We will, however, pass on all warranties made by the manufacturer, who has sole responsibility for performing such warranties.

Baja Designs will pay the freight if your product is less than 90 days old, otherwise defective products must be returned to Baja Designs, Inc., freight prepaid. At our option, we will repair or replace items in question and return them at no charge. If the identical product is no longer available, we will replace with a similar product of equal value. Baja Designs Inc. will not be responsible for any indirect or consequential damages in connection with defective merchandise.

Items purchased through a Baja Designs authorized dealer must be returned through the dealer. Only available on LED auxiliary lights and product must be in sellable condition at MSRP. Product that has been damaged in any way after the original purchase date will be excluded from this guarantee.

Indemnification:

Buyer hereby acknowledges off-roading, racing and driving at night are dangerous activities and that the products and/or supplies purchased from Baja Designs are used in an inherently dangerous activity that may endanger life and limb; and in no event shall the seller, or seller's heirs and assigns, be held liable for consequential damages, nor shall seller's liability on any claim for damages arising out of or connected with the sale, delivery, or use of purchased products and/or supplies exceed the purchase price of the products and/or supplies

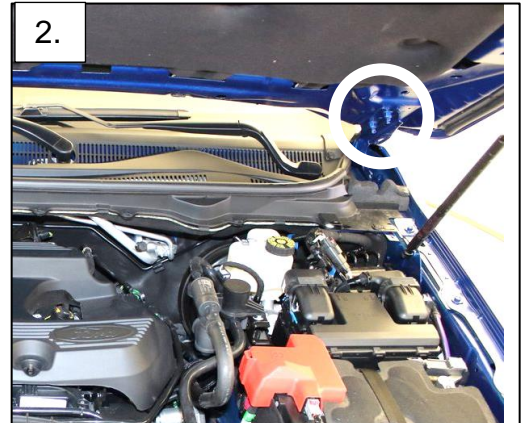
Tools Required

- 13mm Socket Wrench
- Standard Screwdriver (Flathead)
- 4mm Allen Wrench
- 9/16" Wrench
- 9/16" Socket Wrench

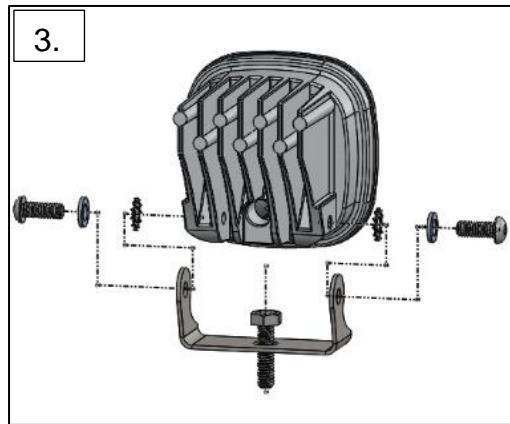
1. Mark the factory hood hinge locations with a marker or tape.



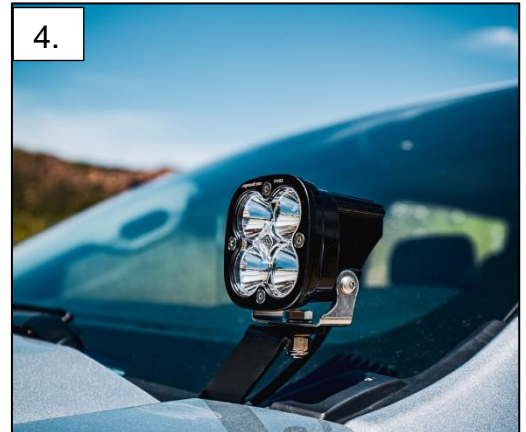
2. Using a 13mm wrench, remove the two hood hinge nuts, apply the appropriate bracket, and re-install the nuts. Using the marks from step 1, Re-align the hood hinge and tighten the nuts.



3. Unbox the lights and locate the brackets and part bags. Assemble the lights to the brackets as shown in the exploded image.



4. Using a 9/16" wrench and socket, tighten down the light and aim for the desired lighting.



5. Using a 10mm socket, remove the nut on the auxiliary post on both the power and ground battery terminal. Place the harness ring terminals on the battery and re-tighten the nuts.

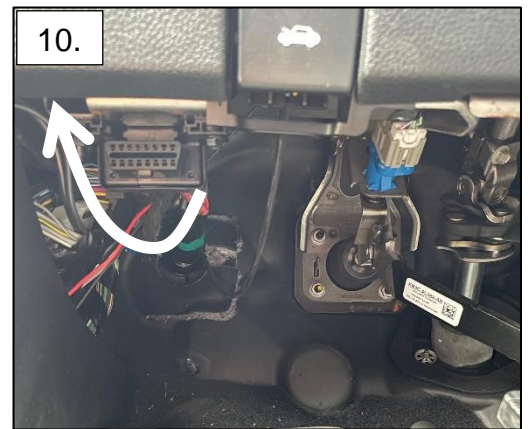
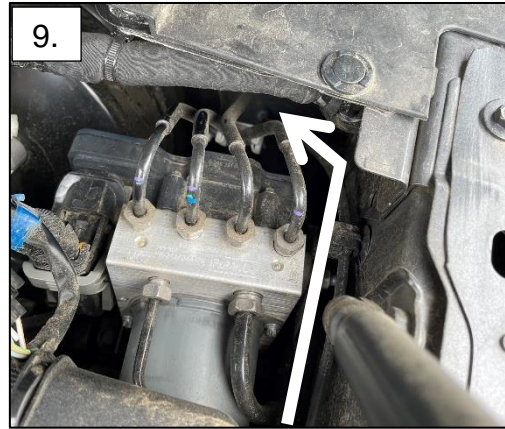


6. Route the plug leads up to the firewall. Run the driver side lead up the hood hinge and plug into the light. For the passenger side, run across the firewall, up the hood hinge and plug into the light.



7. Located behind the brake line manifold is the firewall grommet pass through. Route the switch through the grommet.

8. On the back side of the grommet, pull the switch through and route behind the dash.



9. Use the suggested locations to mount the switch.



Tie all wires away from sharp, hot, and/or rotating components.

Re-torque all the fasteners after 100 miles.

Your install is now complete! Thank you for choosing Baja Designs.