



baja designs[®]
The Scientists of Lighting

2018 Textron Wildcat XX Adjustable RTL mount Instructions (44-7141)



185 Bosstick Boulevard • San Marcos • CA • 92069

Phone 760-560-2252 • Fax 760-560-0383

info@bajadesigns.com • www.bajadesigns.com



baja designs[®]
The Scientists of Lighting

LIMITED LIFETIME WARRANTY

Baja Designs proudly offers a LIFETIME WARRANTY against manufacturer's defect on all the products that we manufacture.

These are comprehensive warranties; other than the exclusions below – you're covered. If your LED or HID bulb burns out, you're covered. Additionally, cutting off our connector or changing your lenses does not automatically void your warranty.

Exclusions:

Installation errors, abuse, misuse or crash damage. You must be the original owner of the product and can supply proof of purchase.

Baja Designs manufactures its own products as well as resells products manufactured by others. Baja Designs makes no express or implied warranties on products not manufactured by Baja Designs including without limitation any warranties or merchantability and fitness for a purpose. We will however, pass on all warranties made by the manufacturer, who has sole responsibility for performing such warranties.

Baja Designs will pay the freight if your product is less than 90 days old, otherwise defective products must be returned to Baja Designs, Inc., freight prepaid. At our option, we will repair or replace items in question and return them at no charge. If the identical product is no longer available, we will replace with a similar product of equal value. Baja Designs Inc. will not be responsible for any indirect or consequential damages in connection with defective merchandise.

Items purchased through a Baja Designs authorized dealer must be returned through the dealer. Only available on LED auxiliary lights and product must be in sellable condition at MSRP. Product that has been damaged in any way after the original purchase date will be excluded from this guarantee.

Indemnification:

Buyer hereby acknowledges off-roading, racing and driving at night are dangerous activities and that the products and/or supplies purchased from Baja Designs are used in an inherently dangerous activity that may endanger life and limb; and in no event shall the seller, or seller's heirs and assigns, be held liable for consequential damages, nor shall seller's liability on any claim for damages arising out of or connected with the sale, delivery, or use of purchased products and/or supplies exceed the purchase price of the products and/or supplies.



baja designs
The Scientists of Lighting

Textron Wildcat 2018 Upper grill 10 inch S8 Kit Instructions

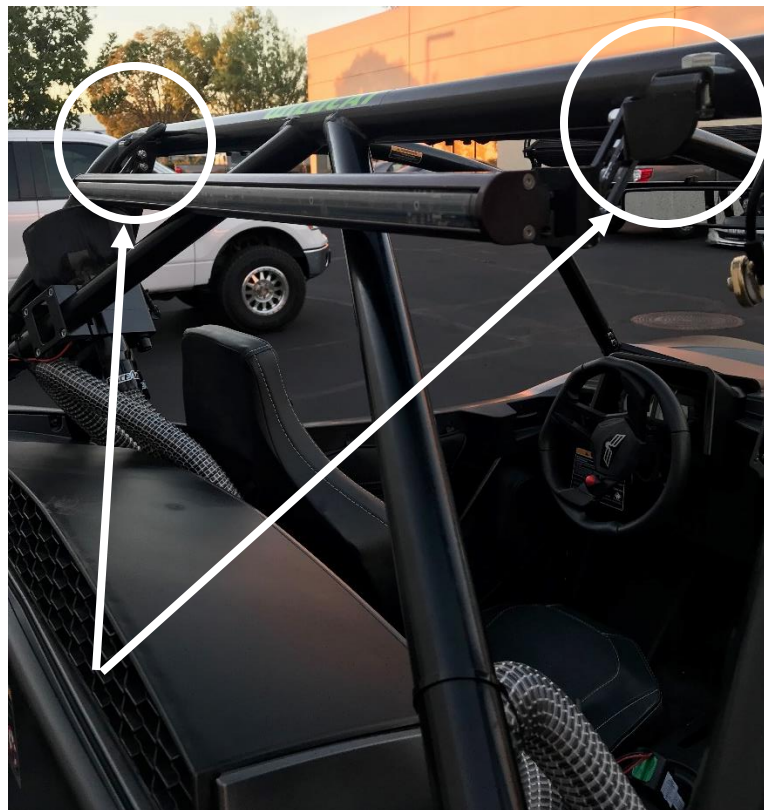
Tools Required

- 3/4" socket (two preferred)
- 3/4" wrench
- 7/16" Socket (two preferred)
- 7/16" wrench

Recommended harness

BD part # 64-0111
Custom harness (12 Gauge min.)

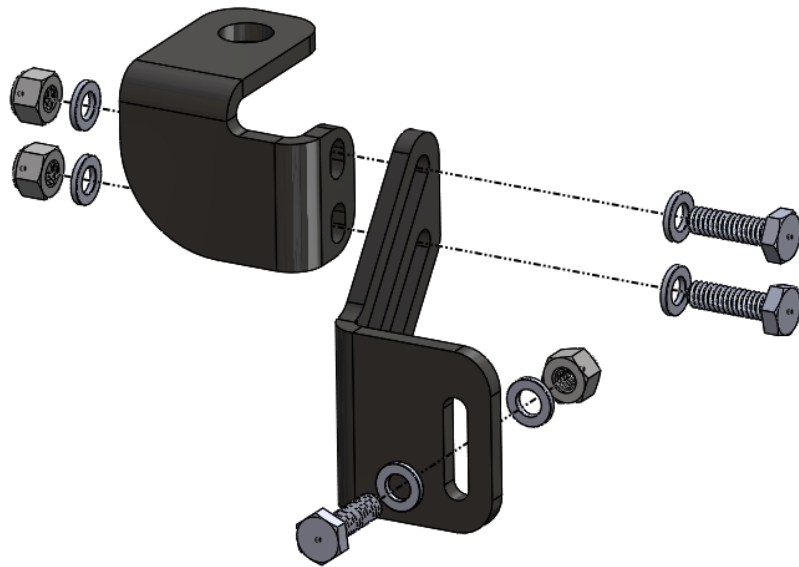
1. Begin by locating the two whip mount locations at the rear of the roof. If there are any installed items in these holes, they will need to be removed and replaced once the brackets have been installed.





baja designs
The Scientists of Lighting

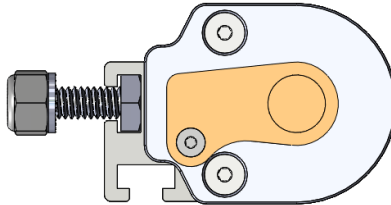
- Using the provided $\frac{1}{4}$ " bolts, washers, and nuts, assemble the RTL brackets in reference to the driver side bracket assembly pictured below. Leave the bolts loose enough for adjustment later. Repeat for the passenger side orientation, which is mirrored with respect to the picture below.



- Using the provided $\frac{1}{2}$ " hardware, bolt in the brackets to their corresponding mounting locations. As can be seen below, take care to avoid scratching the roll cage by using plastic, masking tape, a rag, etc.



4. Carefully slide bolt heads into extrusion from either the passenger or driver side. It may be necessary to have assistance for ease of mounting. The image below shows how the 1/4" bolt head fits into the RTL light extrusion.



5. Once the light is installed, now any roof may be placed back into its mounting position above the cab. Adjust the RTL brackets as necessary. Tighten all fasteners. Below is the suggested routing of the power chord.



Re-torque all the fasteners after 100 miles.

See the instructions supplied with the wiring harness to complete wiring needs.

Your install is now complete! Thank you for choosing Baja Designs.